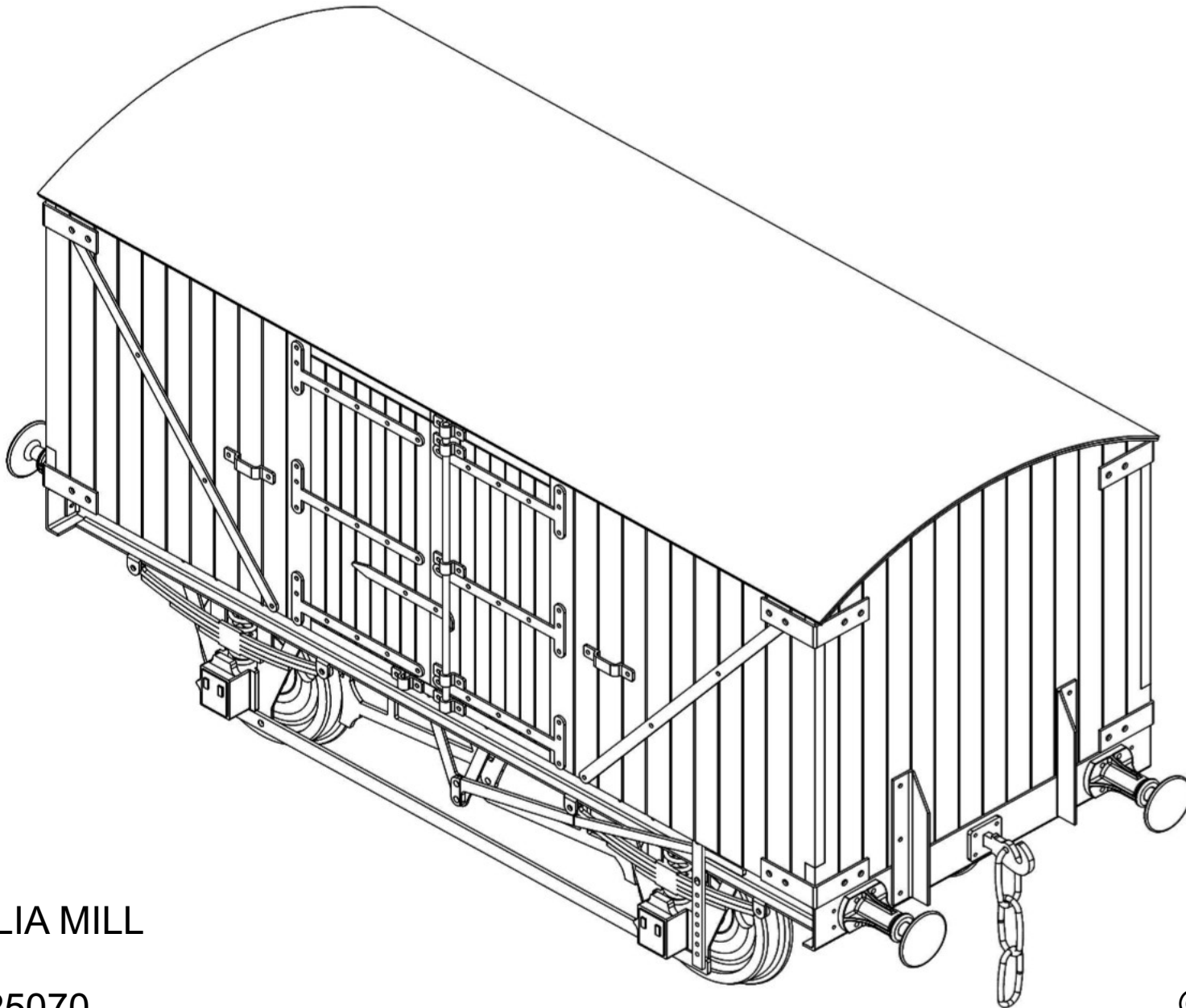


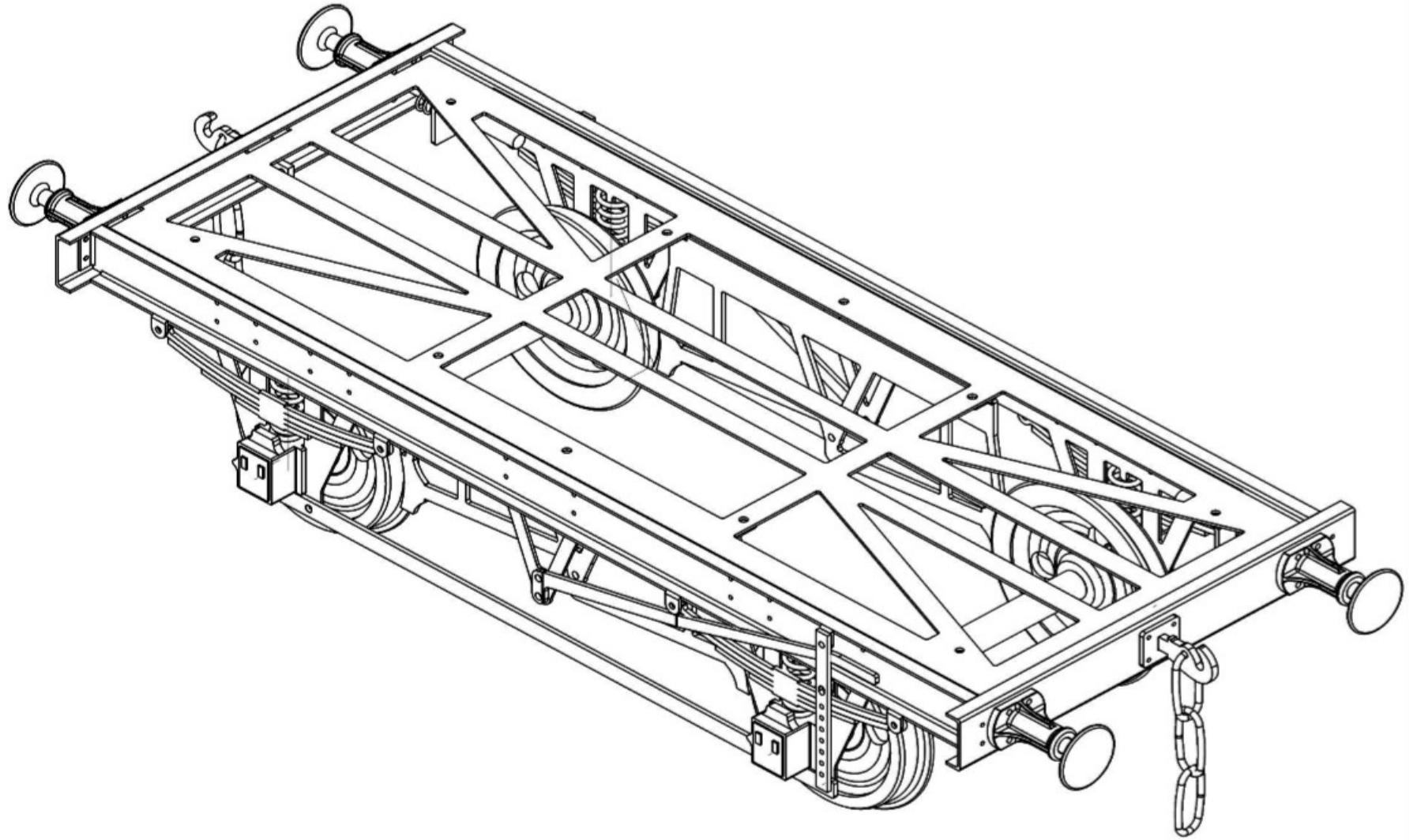
9ft & 10ft Wagon Kits

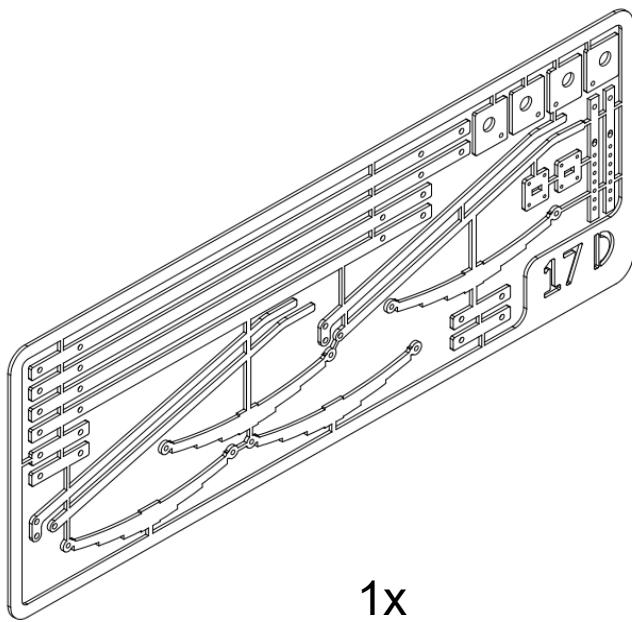


17D LTD
UNIT 13
VIA GELLIA MILL
DE4 2AJ
01629 825070

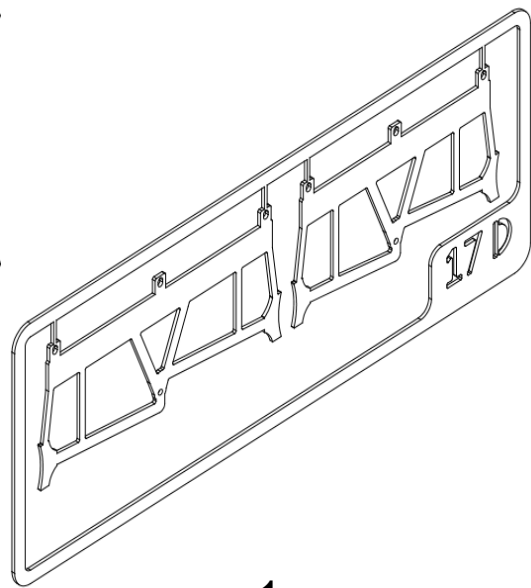
©17D LTD

Wagon Chassis

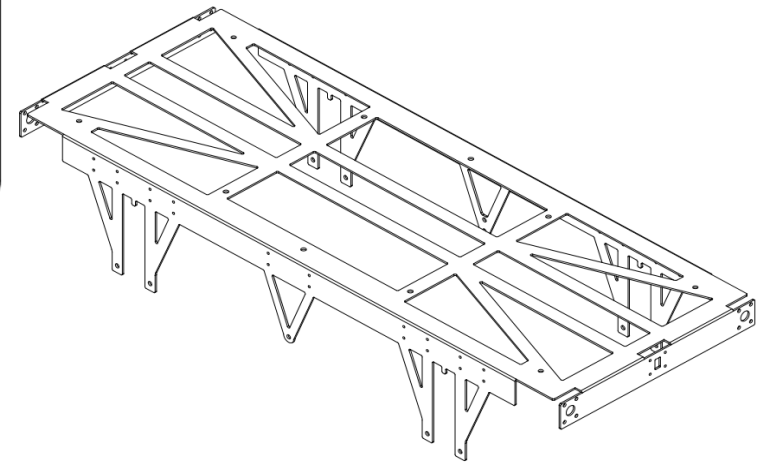




1x
9ft and 10ft Fret



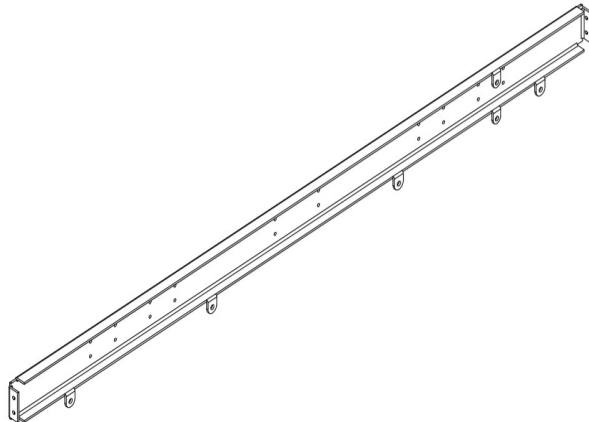
1x
Dummy Brake Fret



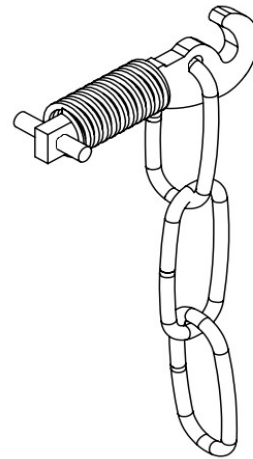
1x
Pre Folded Frame



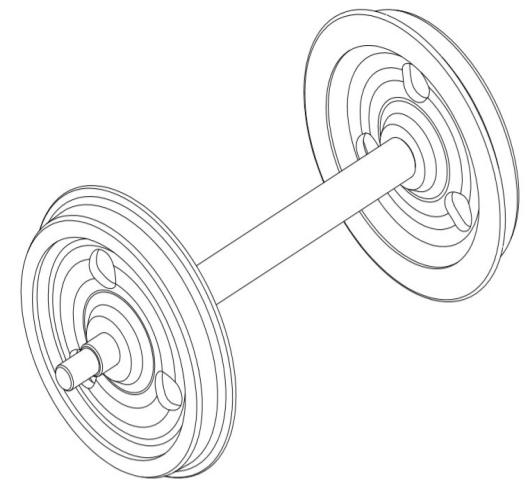
2x
Buffer Beam



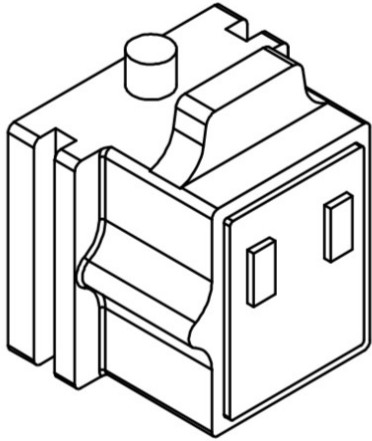
2x
Side Frames



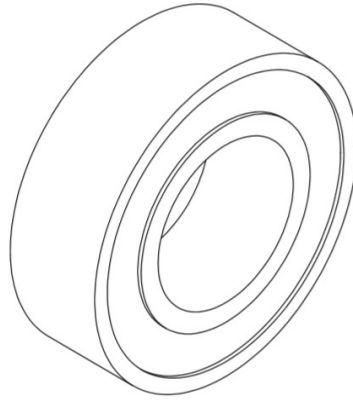
2x
Hook on Chain
+ Spring and Pin



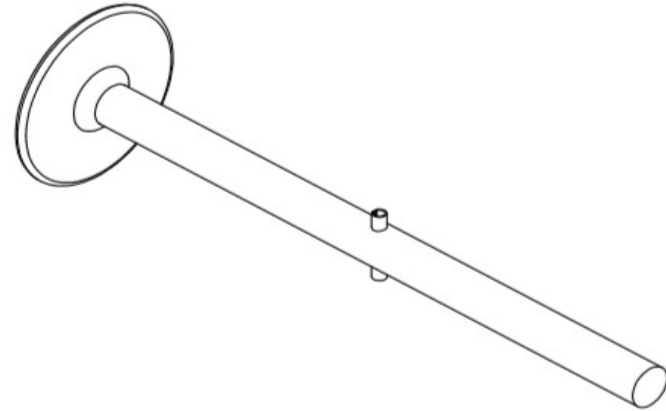
2x
Wheel on Axle



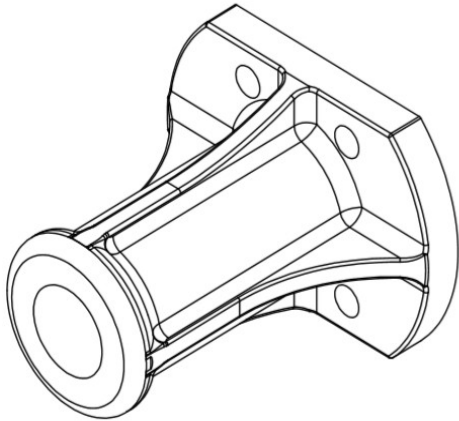
4x
Axle box



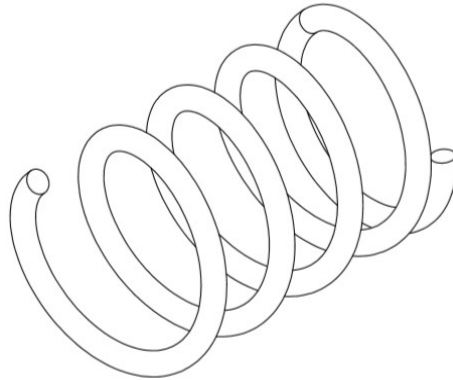
4x
Bearings



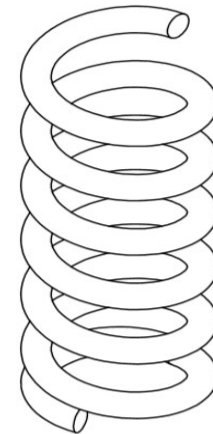
4x
RCH Buffer Heads + Pins



4x
RCH Buffer Stock

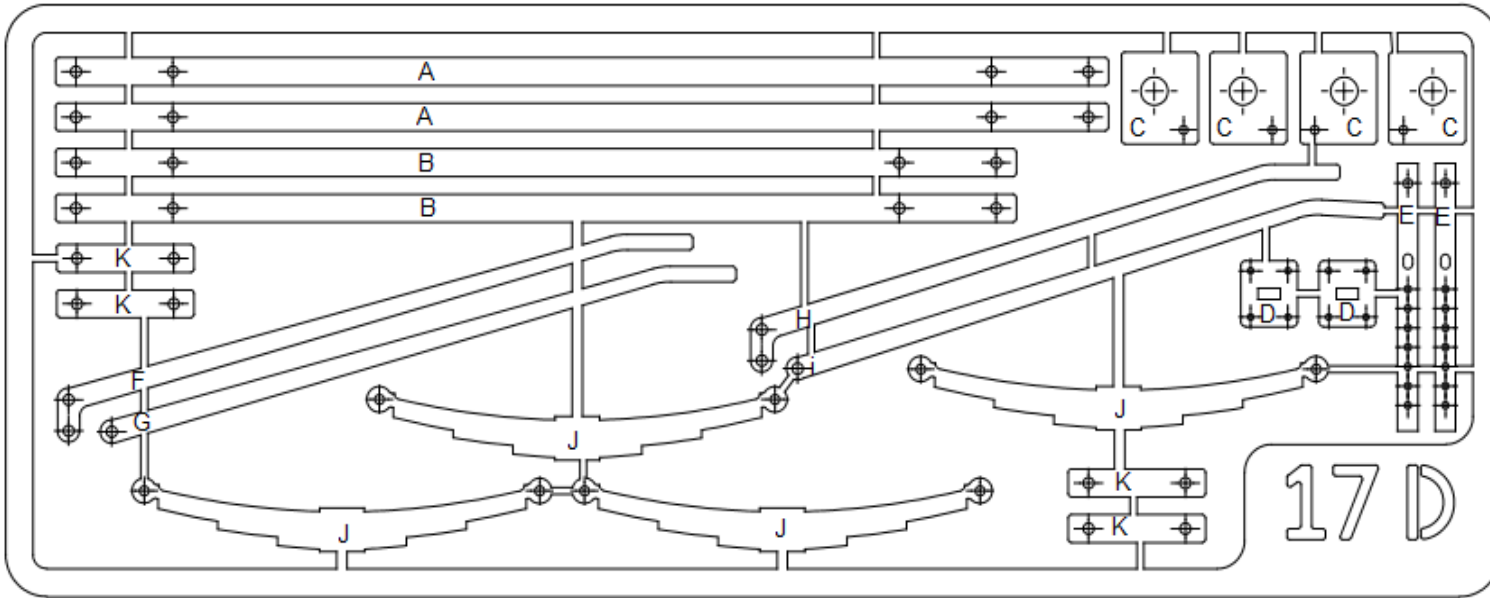


4x
RCH Buffer Springs

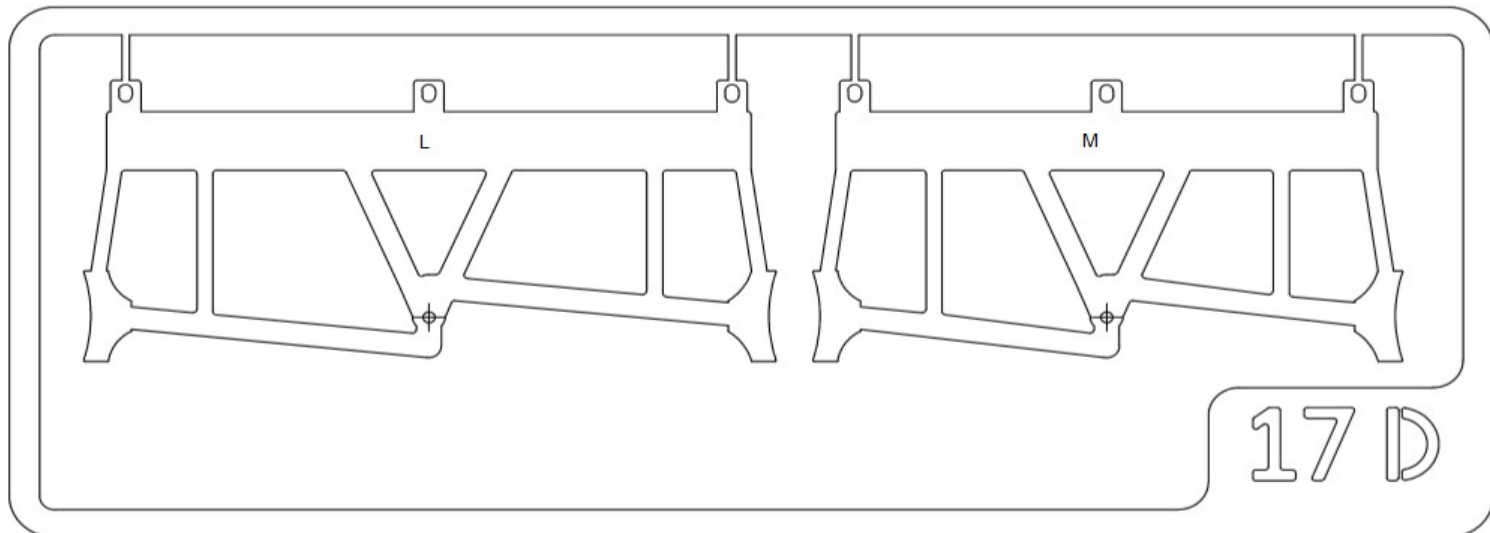


4x + 2x
Suspension Spring

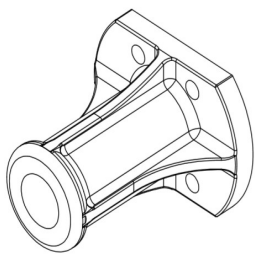
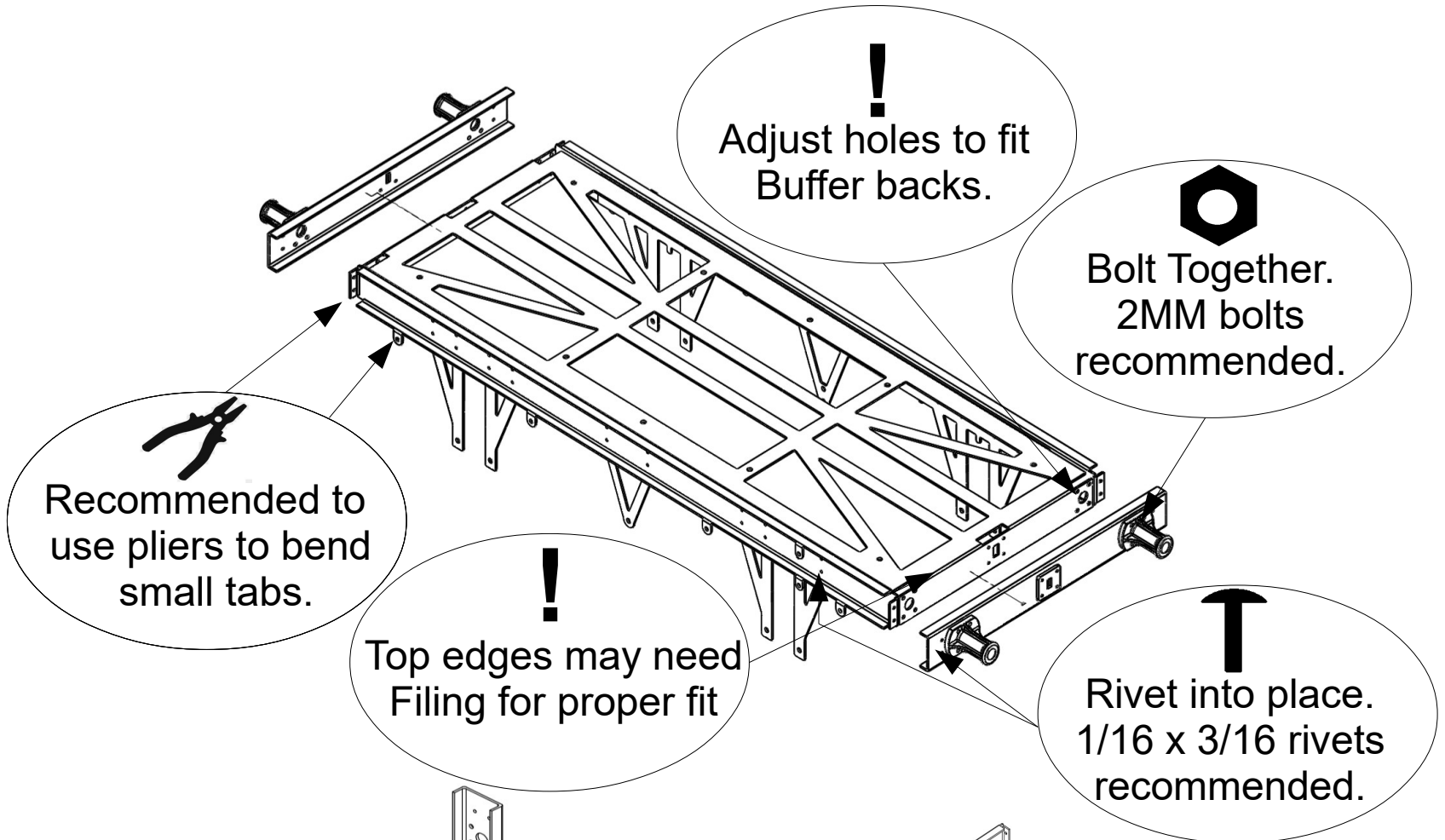
Cut out required parts:



- A = 10ft only
- B = 9ft only
- C = Obsolete
- D = Required
- E = Required
- F = 9ft only
- G = 9ft only
- H = 10ft only
- I = 10ft only
- J = Required
- K = Choice



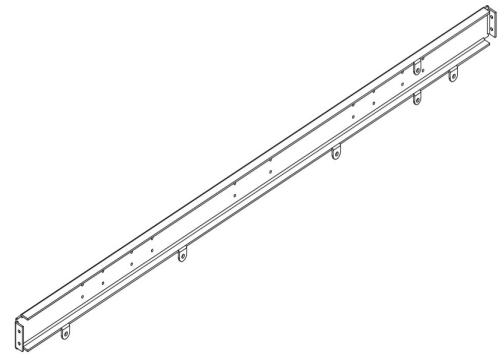
- L = Required
- M = Required



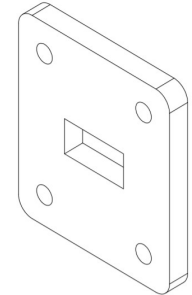
4x RCH Buffer Stock



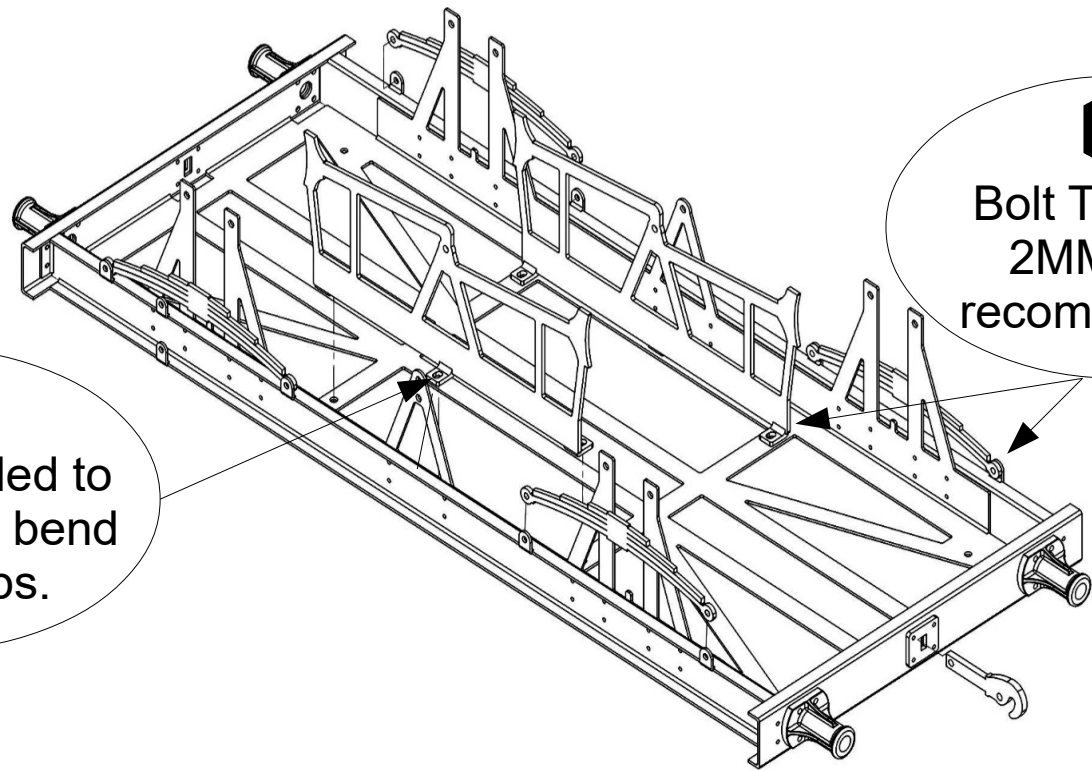
2x Buffer Beam




2x Side Frames

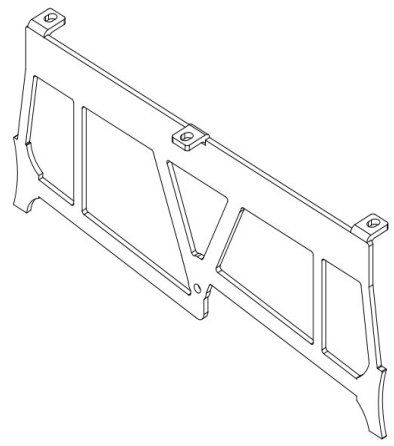


2x Draw Hook Pads

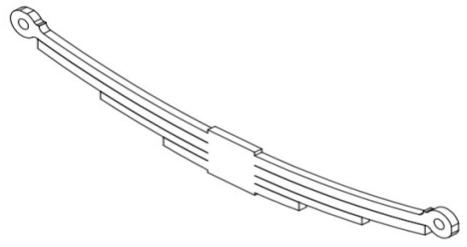



Recommended to
use pliers to bend
small tabs.

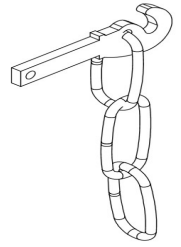

Bolt Together.
2MM bolts
recommended.



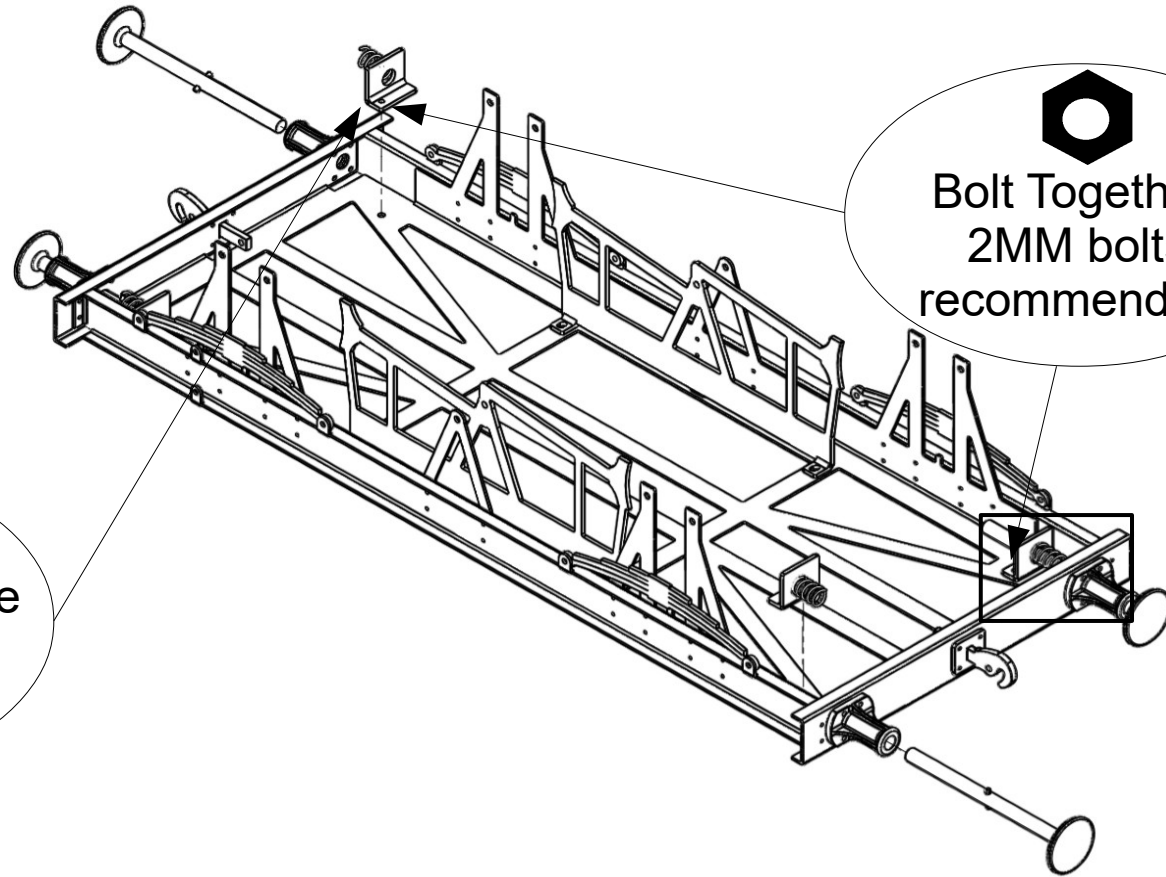
2x
Dummy Brake Fret




4x
Leaf Spring

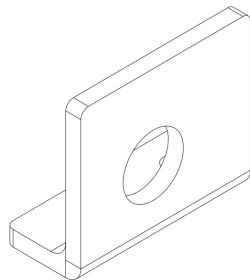


2x
Hook on Chain

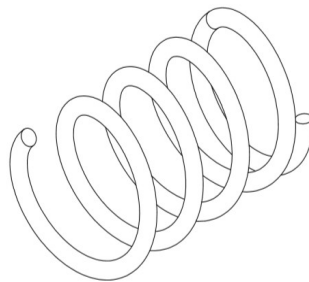


!
Now obsolete due
To internally
Sprung buffers.

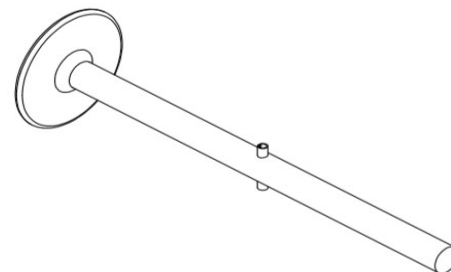

Bolt Together.
2MM bolts
recommended.



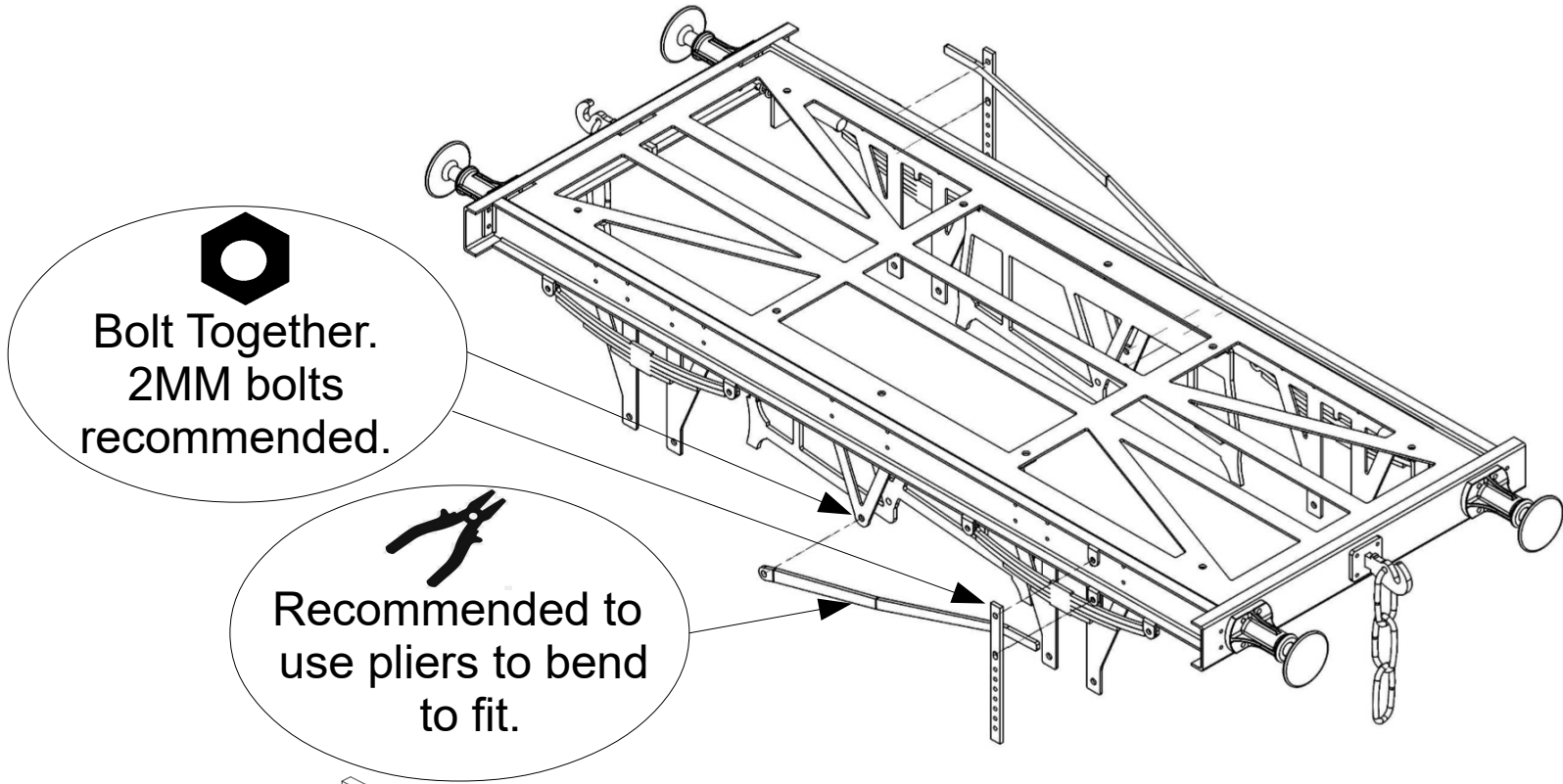
4x
Folded Buffer Keep
(obsolete)



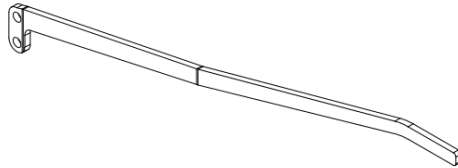
4x
RCH Buffer Springs



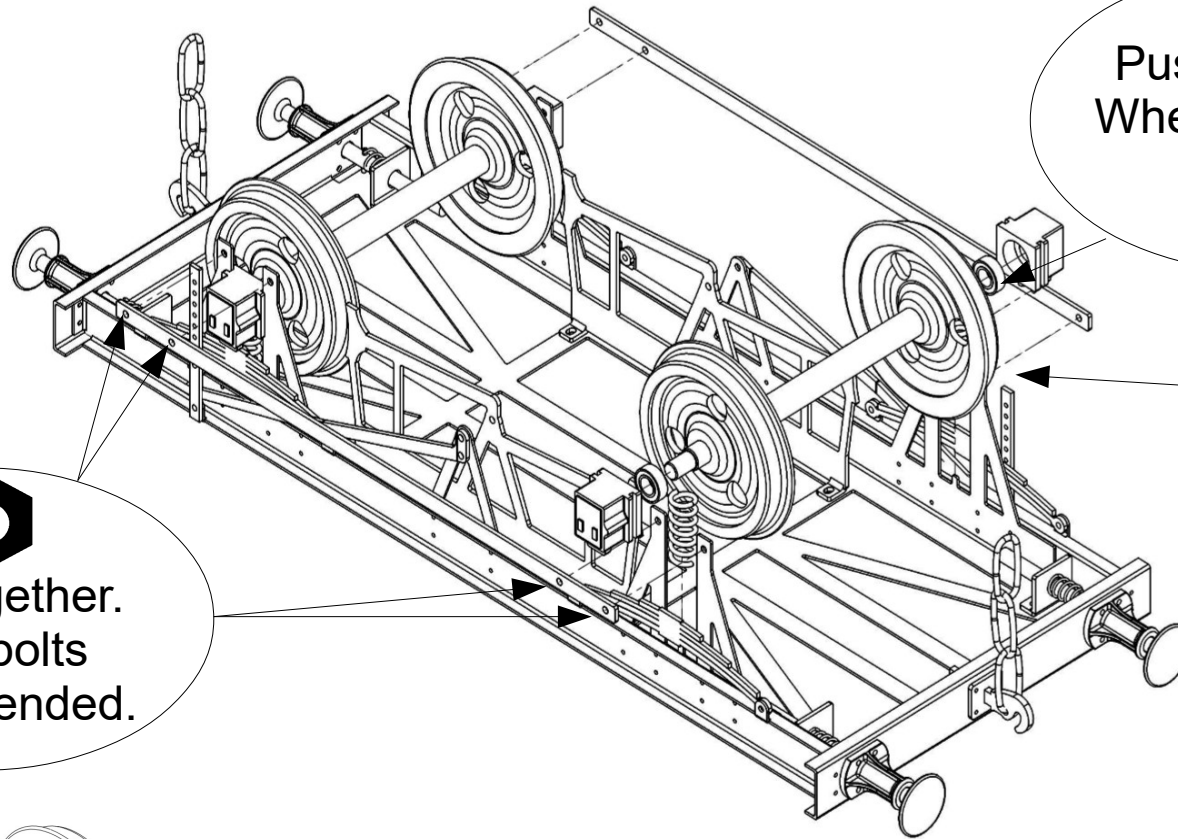
4x
RCH Buffer Heads + Pins




2x
Pin Rack



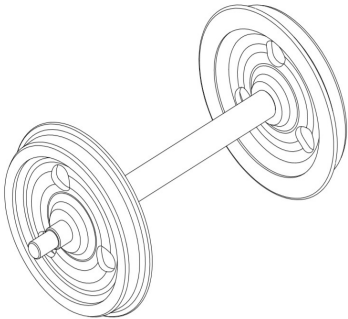
2x
Brake Lever



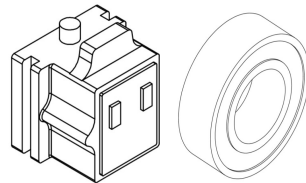
Push together
Wheel assembly


Bolt Together.
2MM bolts
recommended.

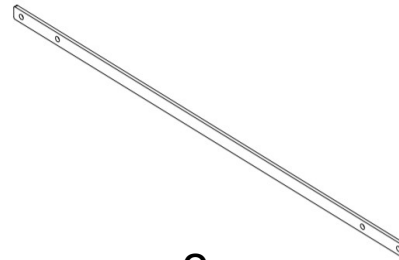
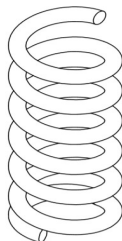
!
Put spring in
place first
followed by
axle box
assembly
then axle
keep last.



2x
Wheel on Axle

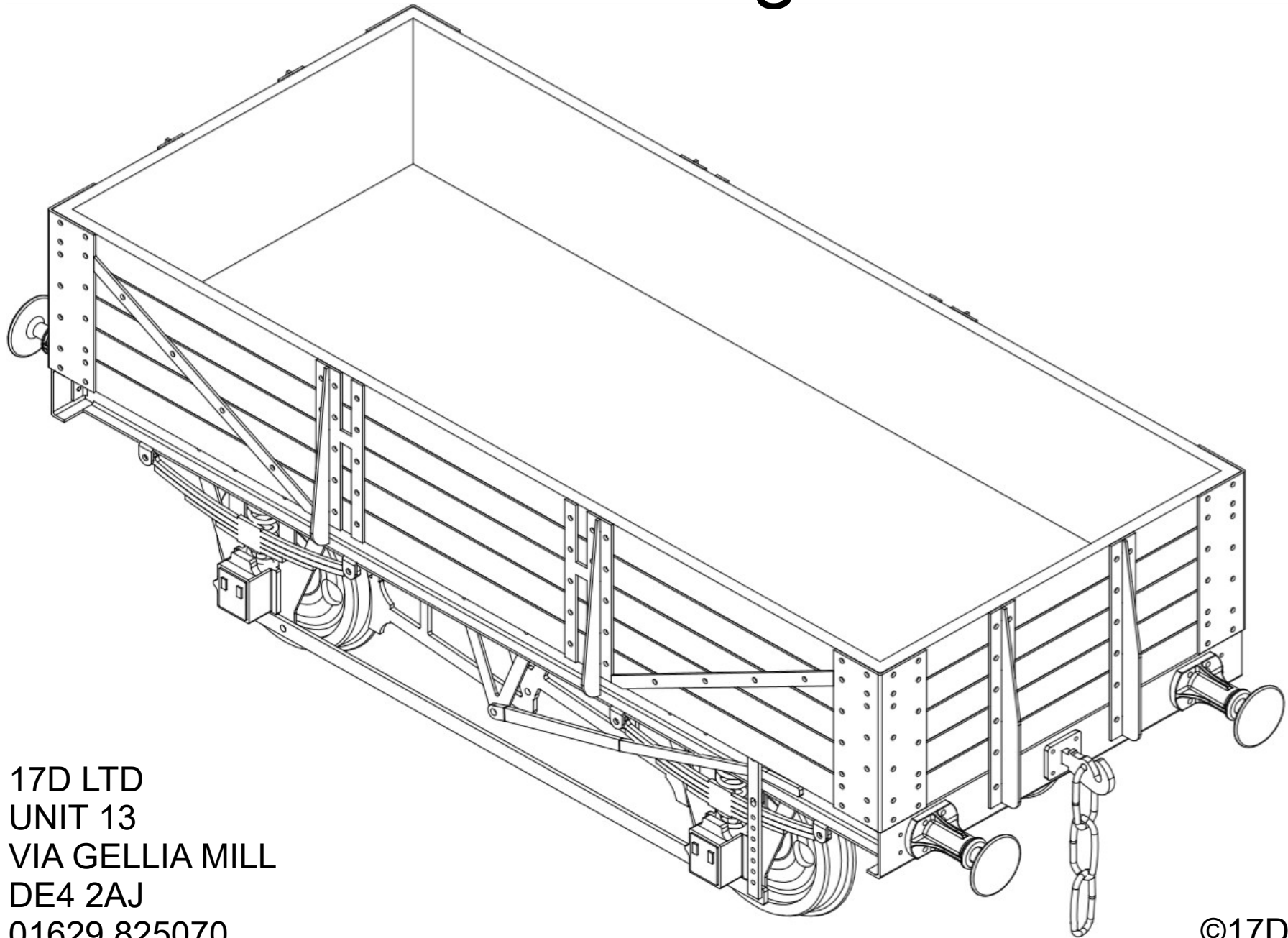


4x
Axlebox, bearings
and springs



2x
Axle Keeps
(Choice: short or long)

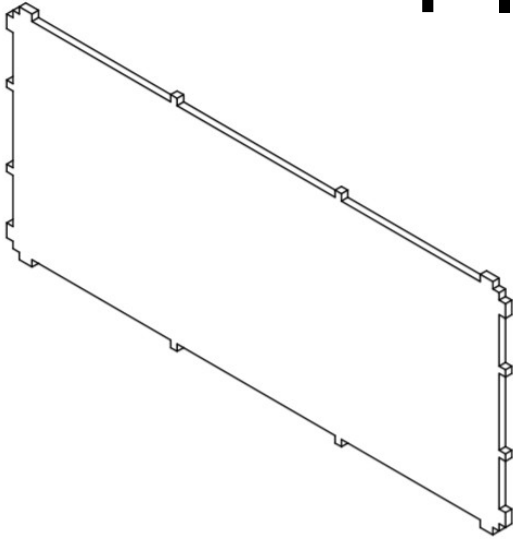
Planked Wagon Kit



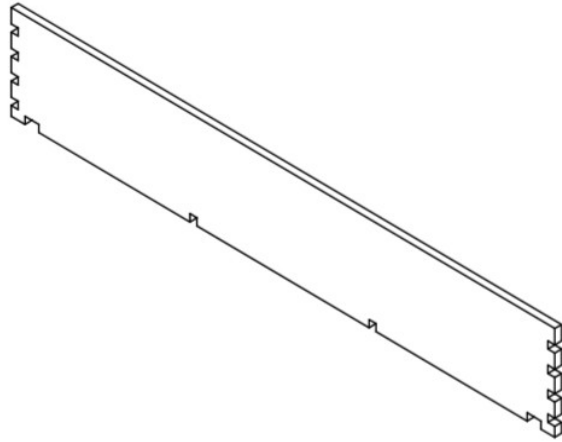
17D LTD
UNIT 13
VIA GELLIA MILL
DE4 2AJ
01629 825070

©17D LTD

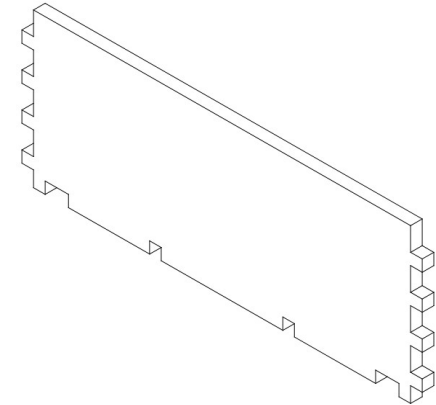
Planked Versions:



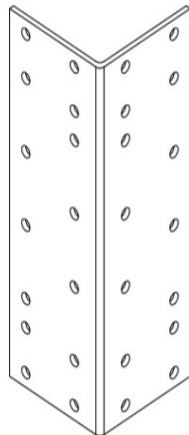
1x
Wooden Base



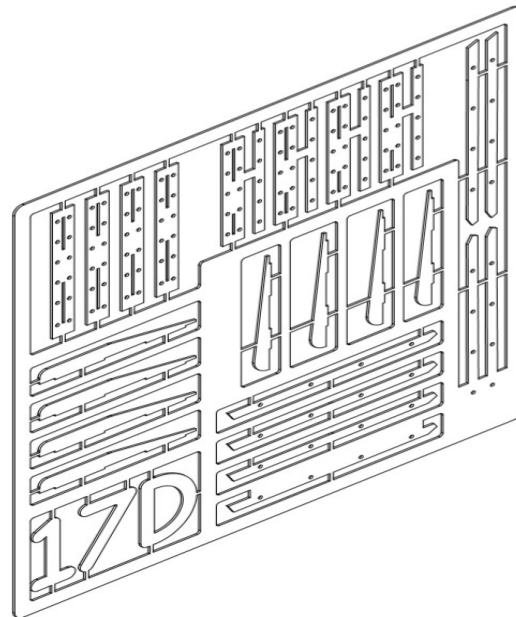
2x
Wooden Sides



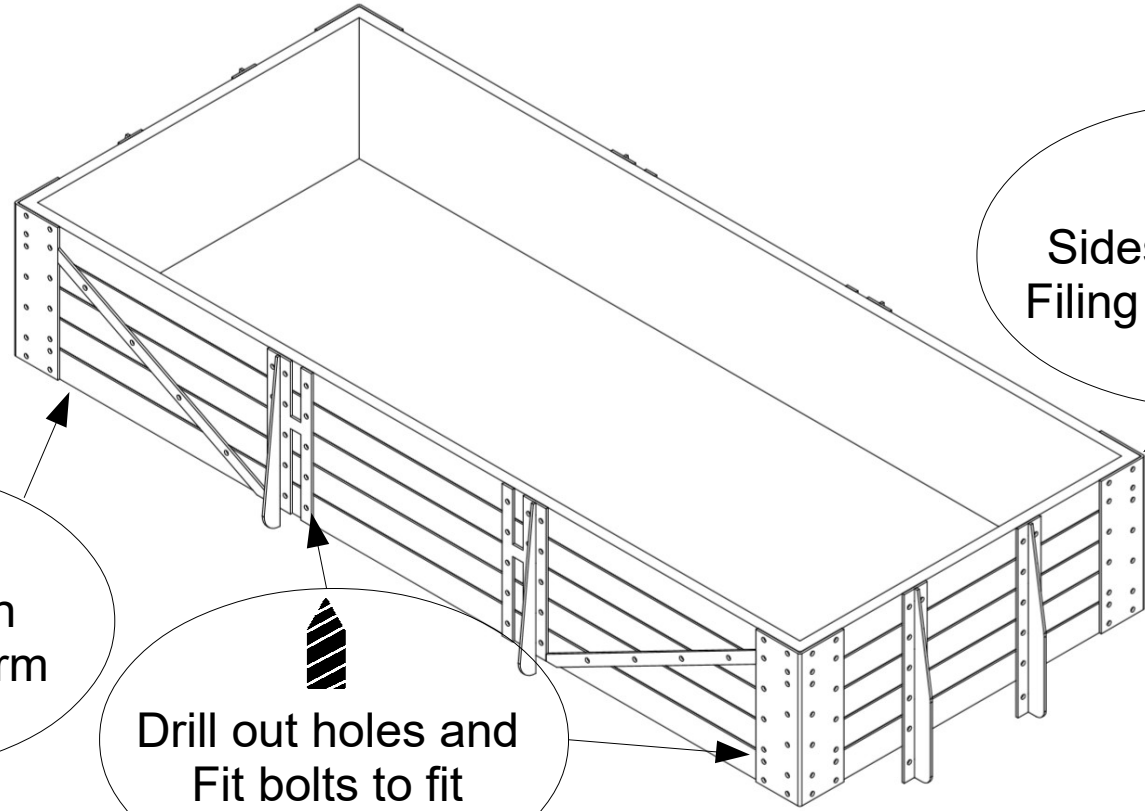
2x
Wooden Front and back




4x
Strapping Folded Corner:
5 Plank or 7 Plank




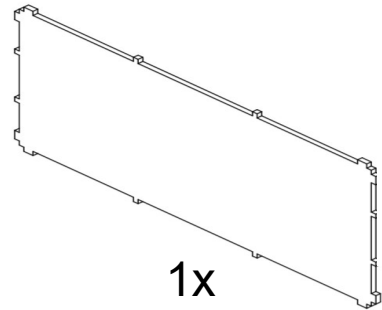
1x
Strapping Fret:
5 Plank or 7 Plank



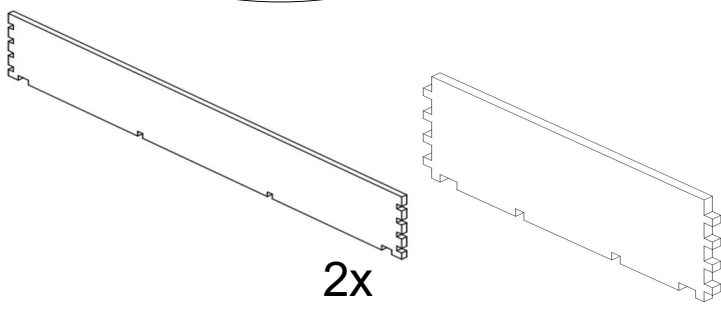
!
Sides may need
Filing for proper fit


Glue wooden
Sections to form
box

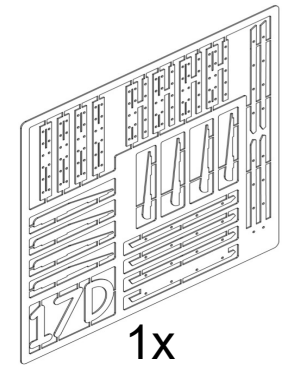

Drill out holes and
Fit bolts to fit
strapping



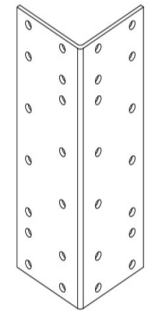
1x
Wooden Base



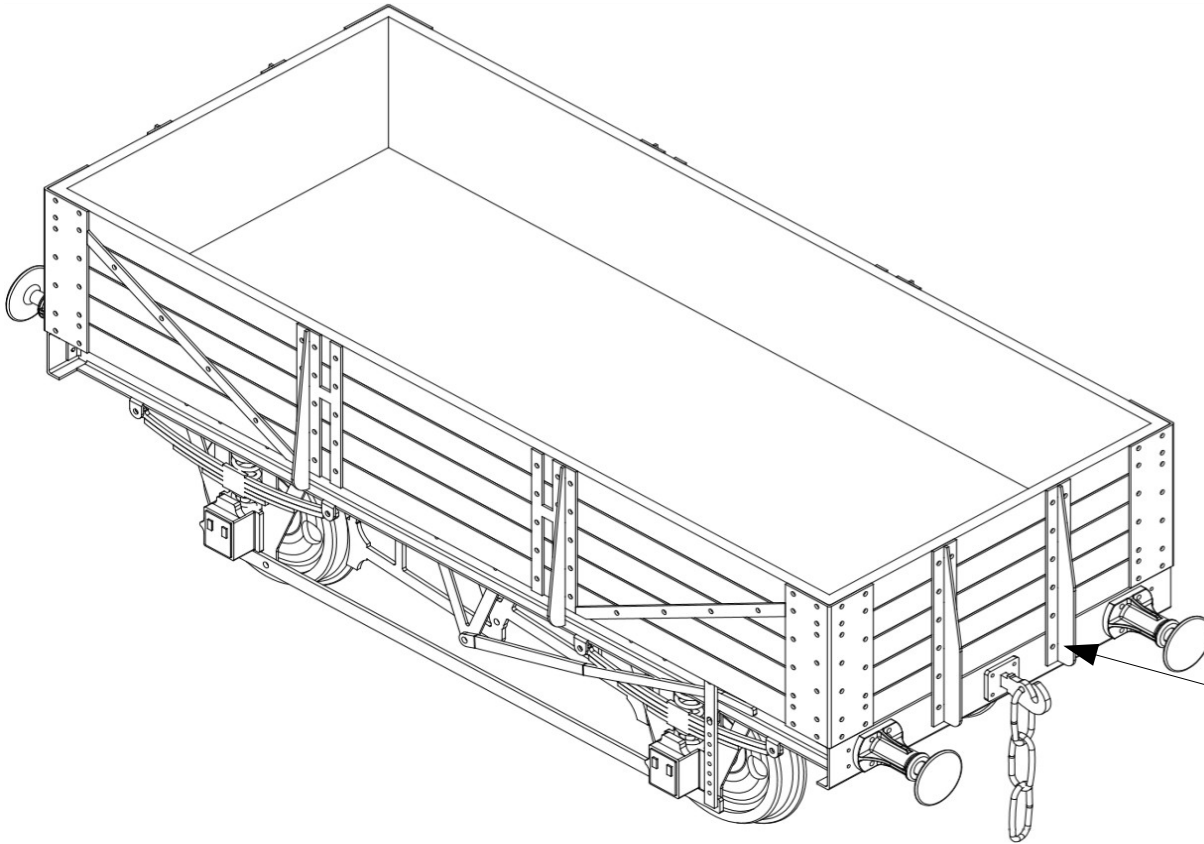
2x
Wooden Sides and fronts




1x
Strapping Fret



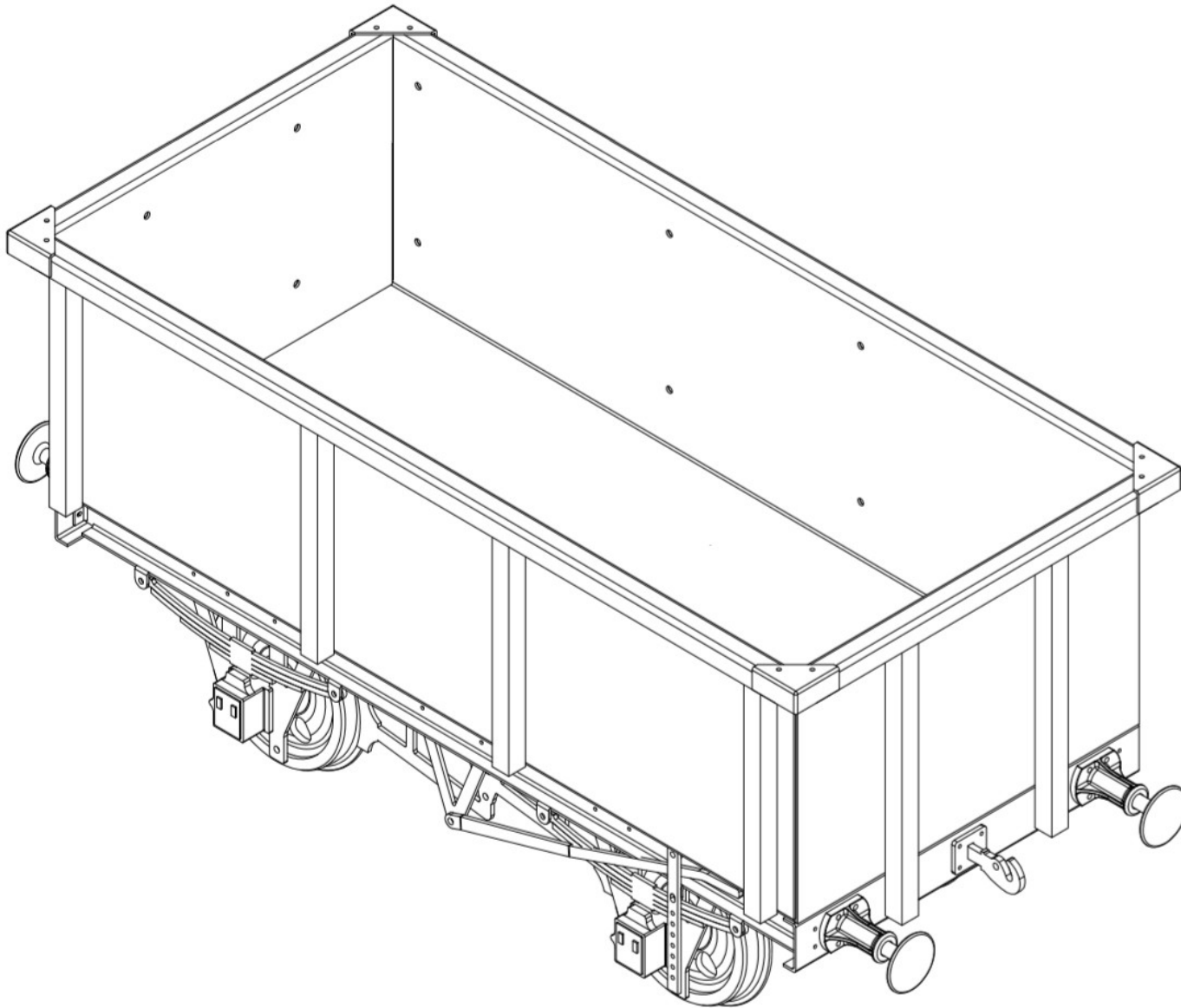
4x
Folded Corners



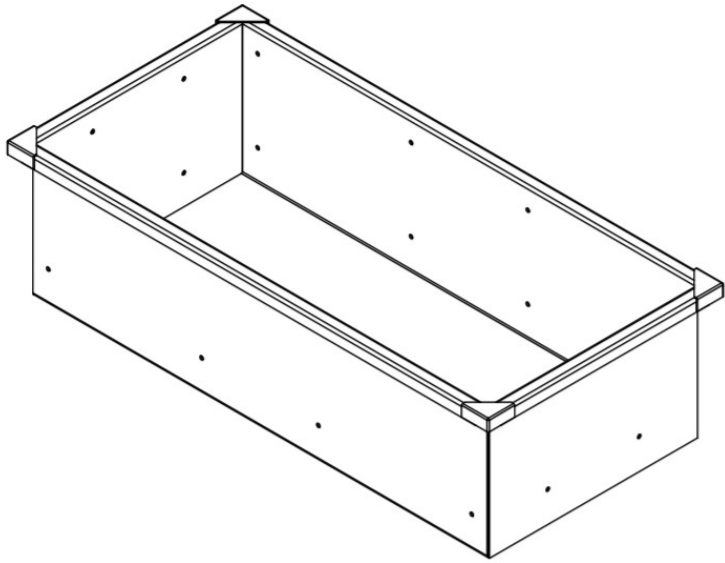

Drill out holes and
Fit bolts to
assembly

And Enjoy!

Tippler and Sand Wagons



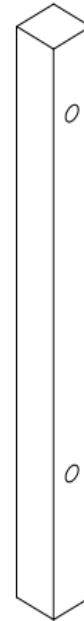
Tippler and Sand Wagons



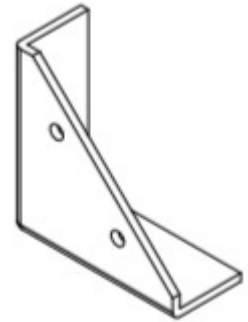
1x
Welded Together
Body




8x
Short Stanchions





4x
Long Stanchions

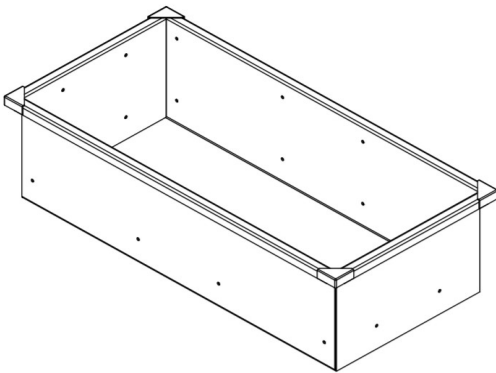
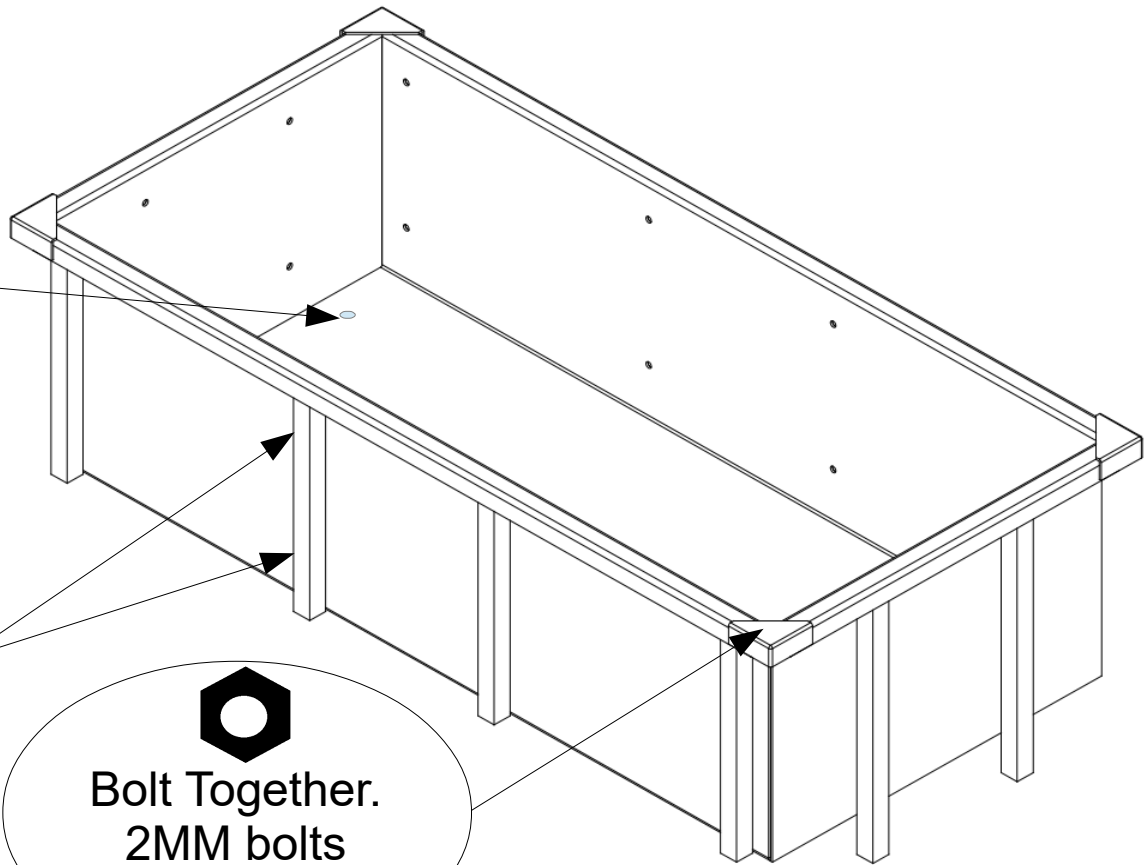


4x
Folded Corners


Drill out holes and
Fit bolts to
Assemble to
chassis


Bolt Together.
3MM x 6MM bolts
recommended.


Bolt Together.
2MM bolts
recommended.



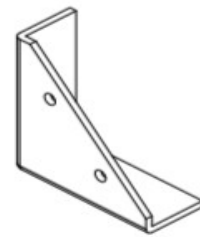
1x
Welded Together
Body



8x
Short Stanchions

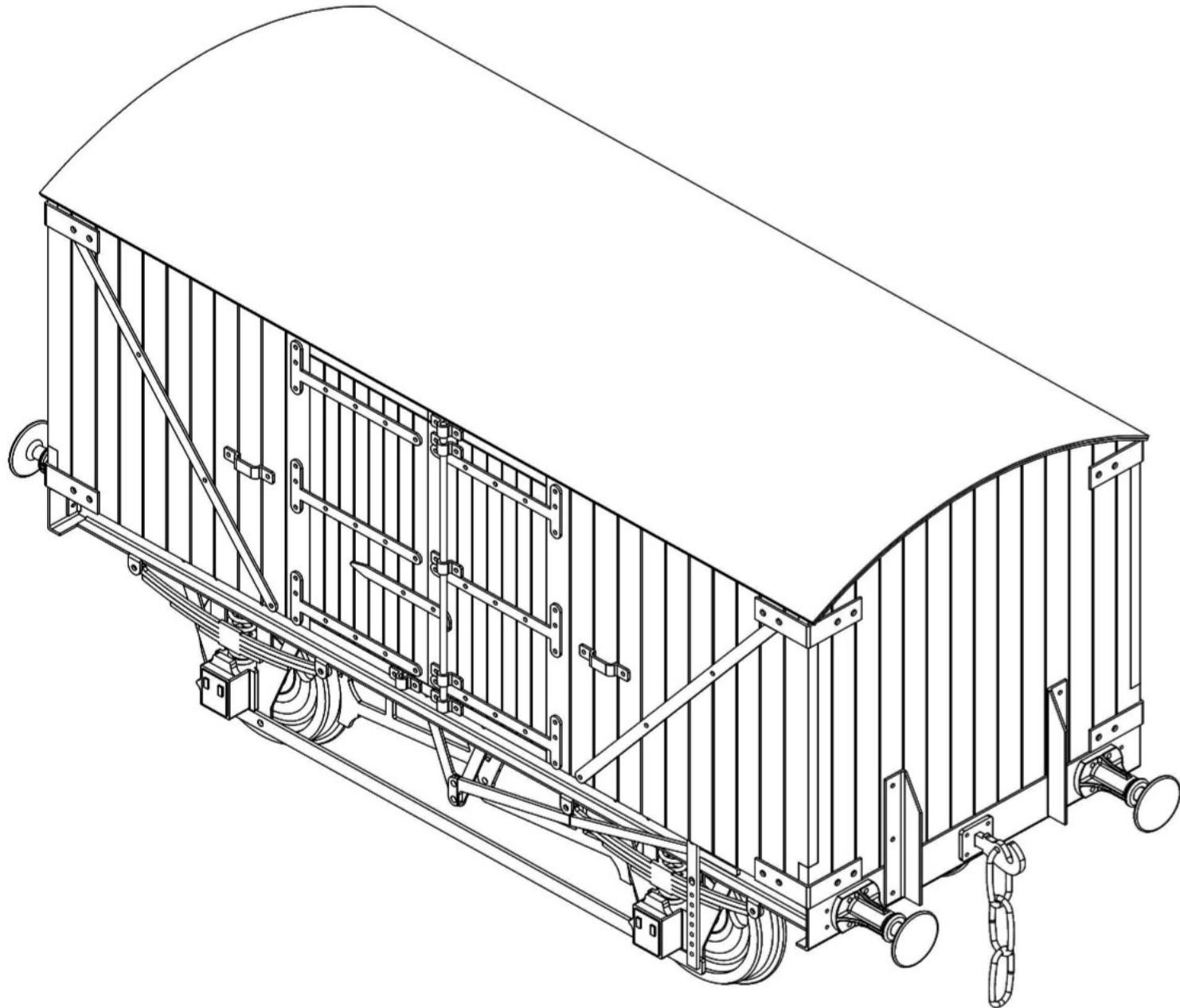


4x
Long Stanchions

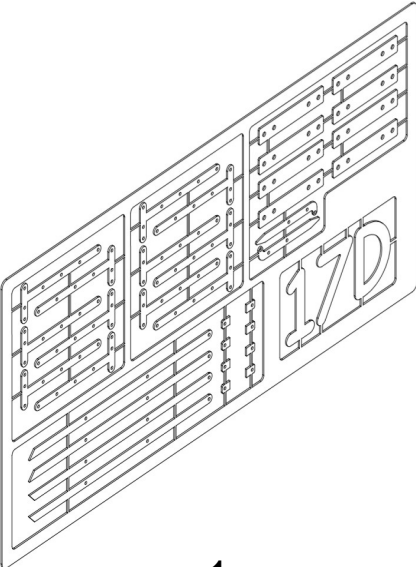


4x
Long Stanchions

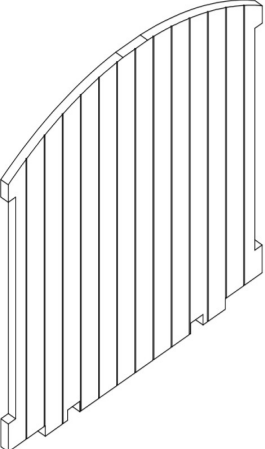
Banana Box Van Kit



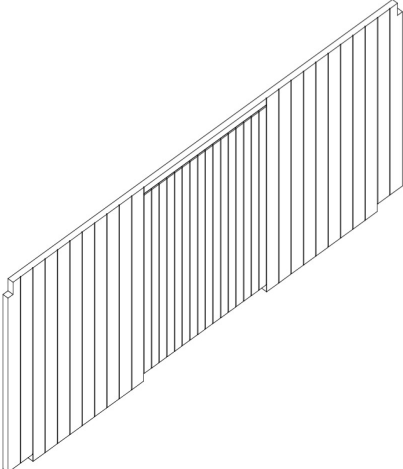
Banana Box Van Kit



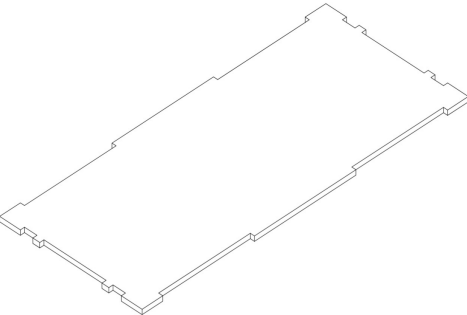
1x
Strapping Fret:
5in Banana Van



2x
Wooden Ends



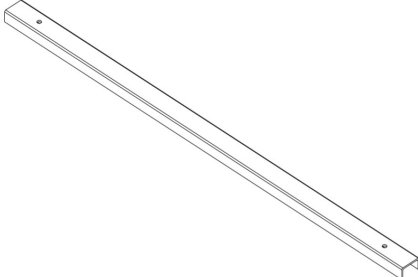
2x
Wooden Sides



1x
Wooden Base

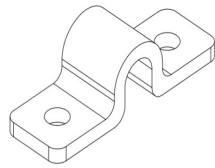


4x
Laser cut and
Folded end pieces

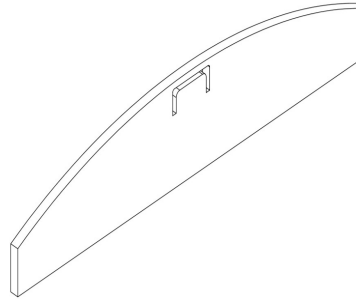


1x
Folded C section

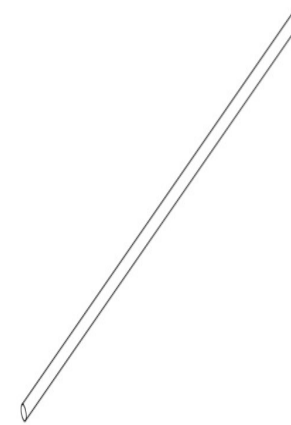
Banana Box Van Kit



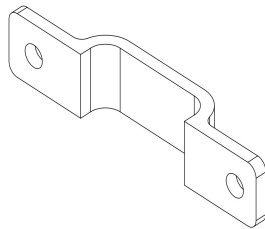
6x
Cast brass
Brackets



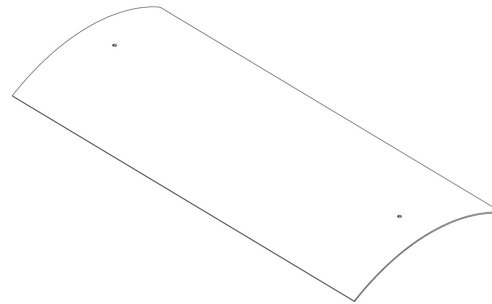
2x
Wooden Roof
inlays




2x
3MM Dia x 158mm
Door Bars



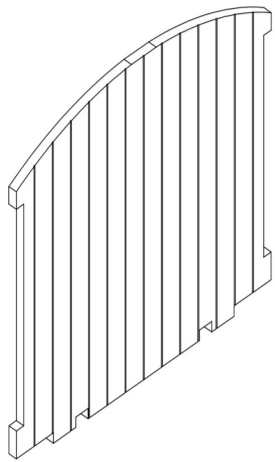
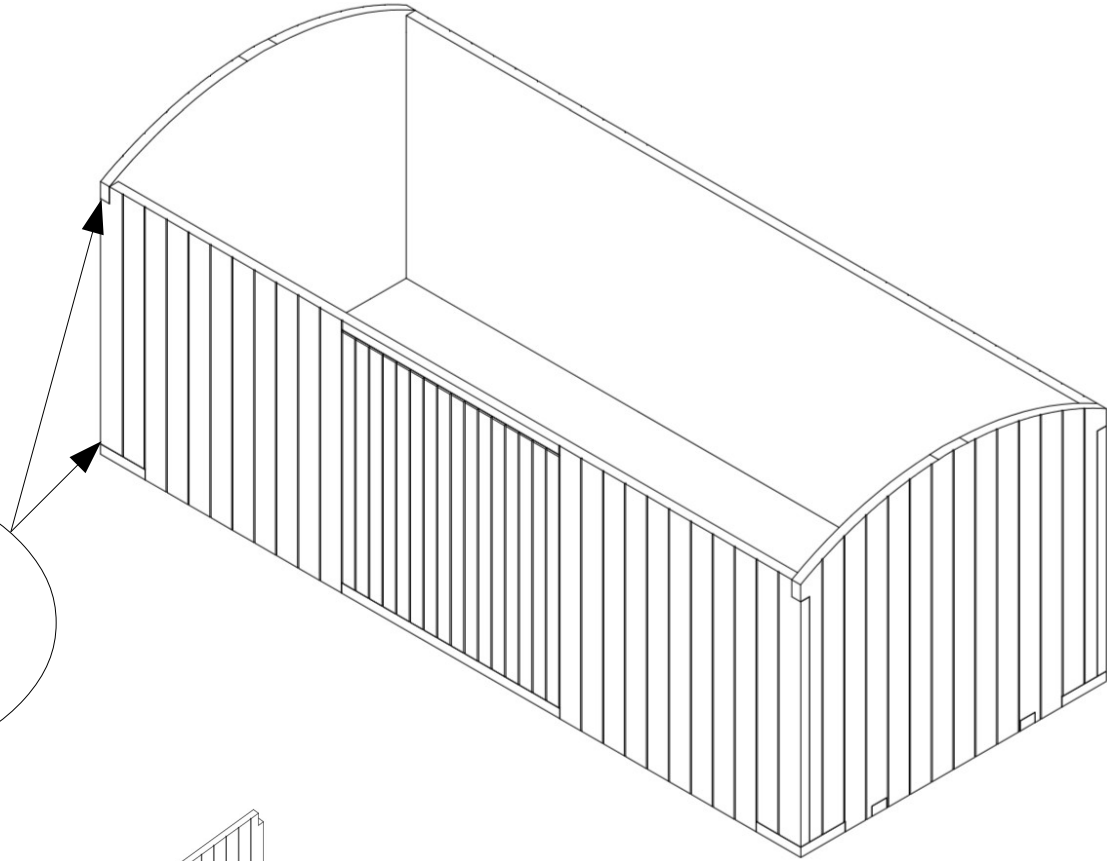
4x
Handles



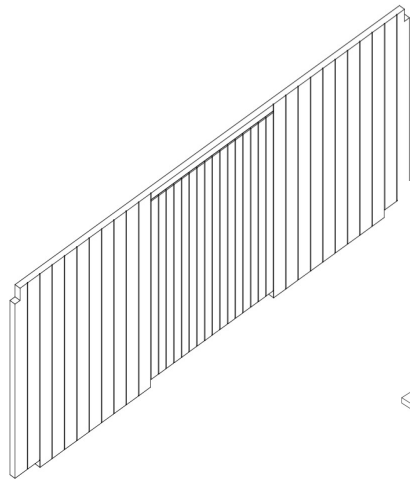
1x
Folded Roof



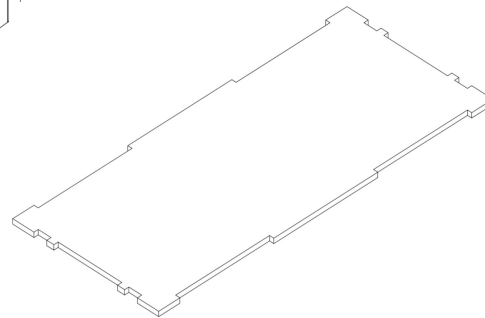
Glue wooden
Sections to form
box




2x
Wooden Ends

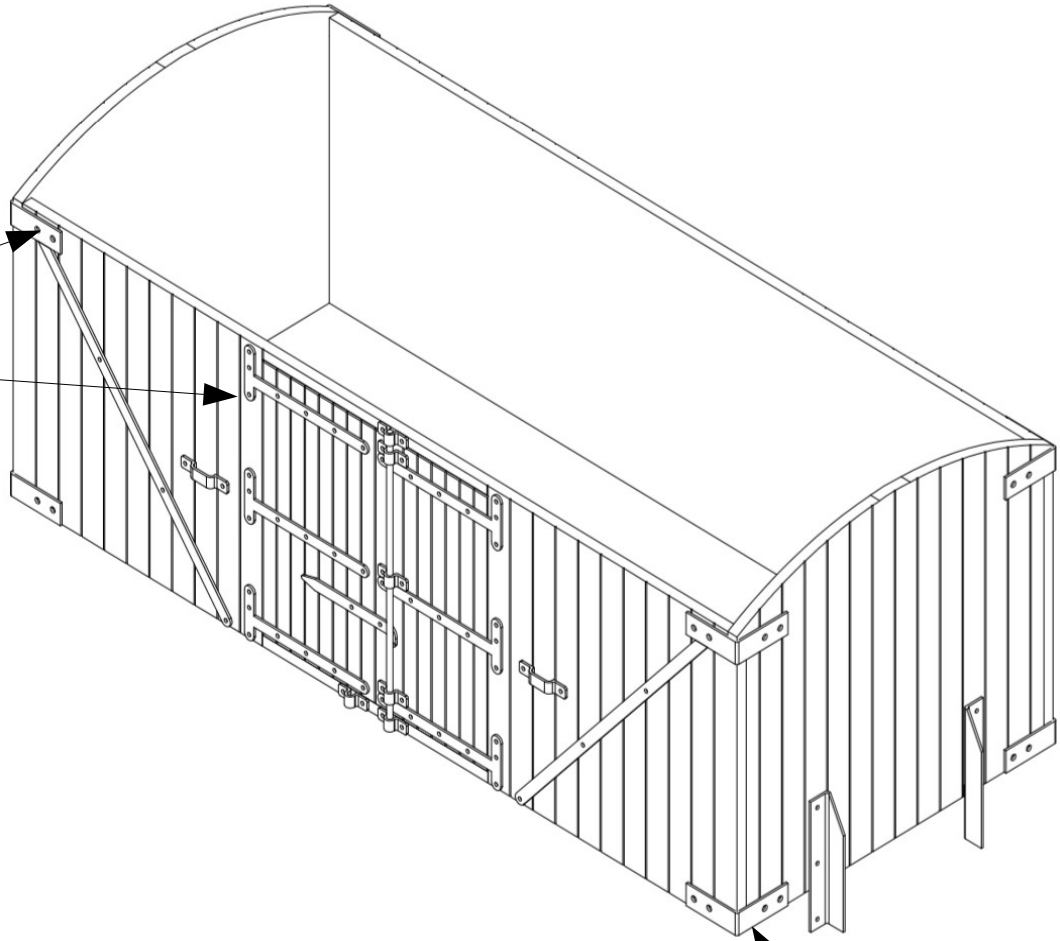


2x
Wooden Sides

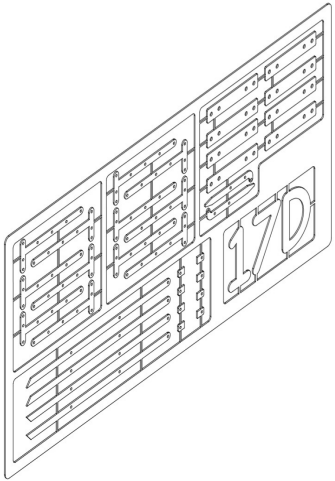


1x
Wooden Base

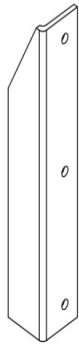

Drill out holes and
Fit bolts to fit
strapping



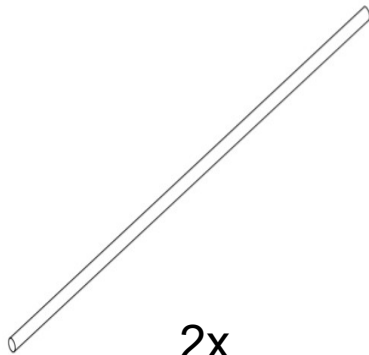
!
Sides may need
Filing for proper fit



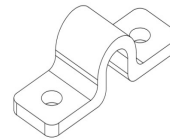
1x
Strapping Fret:
5in Banana Van



4x
Laser cut and
Folded end pieces




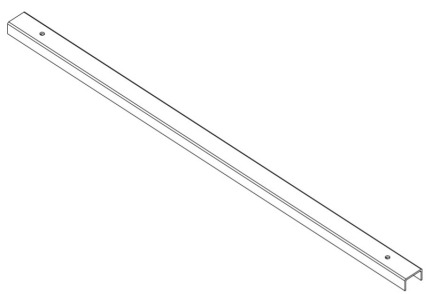
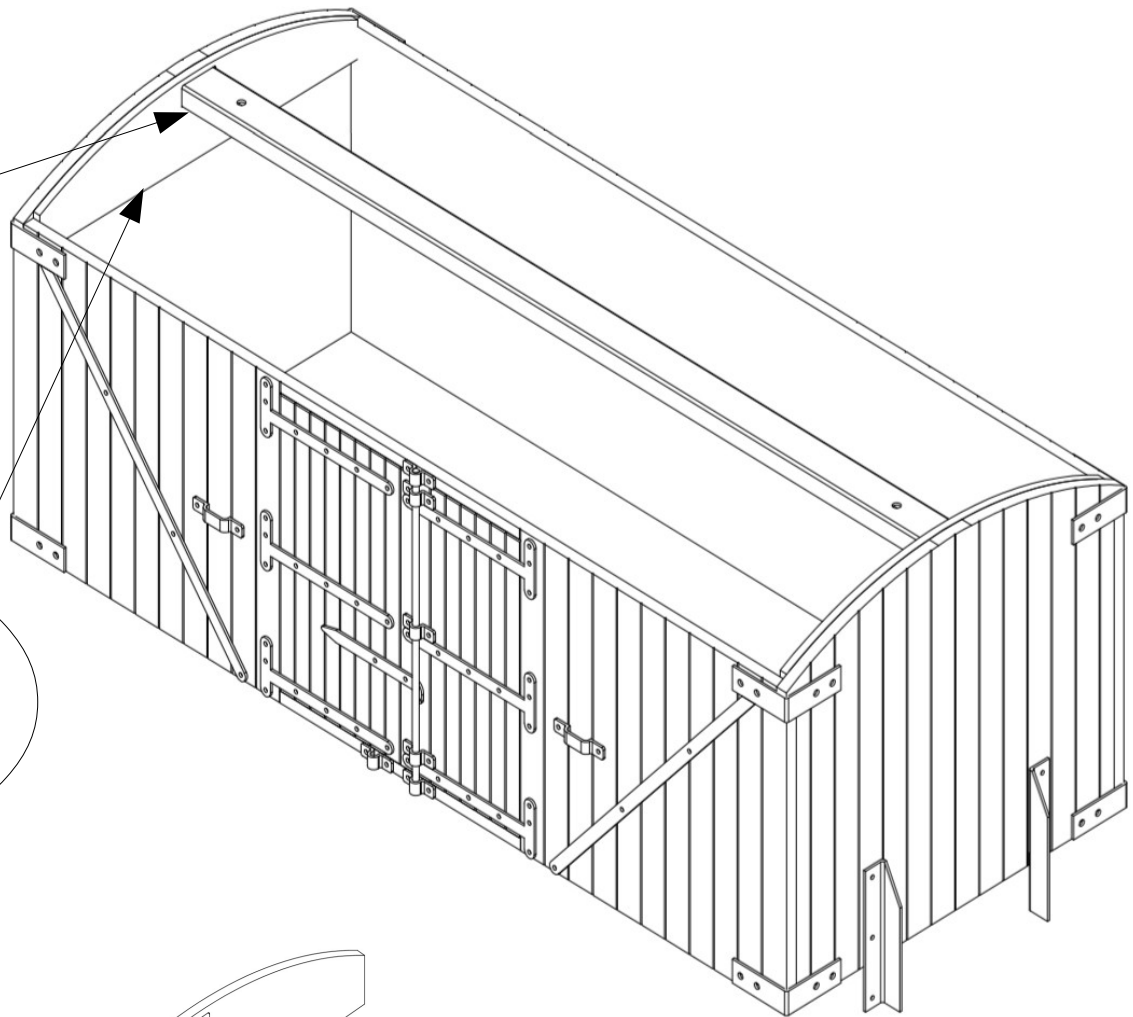
2x
3MM Dia
Door Bars



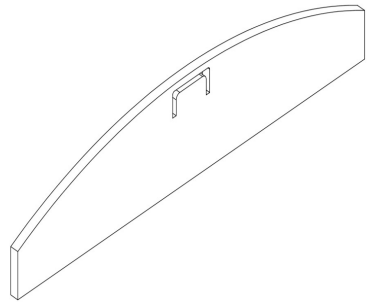
6x
Cast brass
Brackets

!
First glue these
3 pieces together as
as an sub-assembly
before glueing it
Inside.


Glue
Assembly inside
Box van




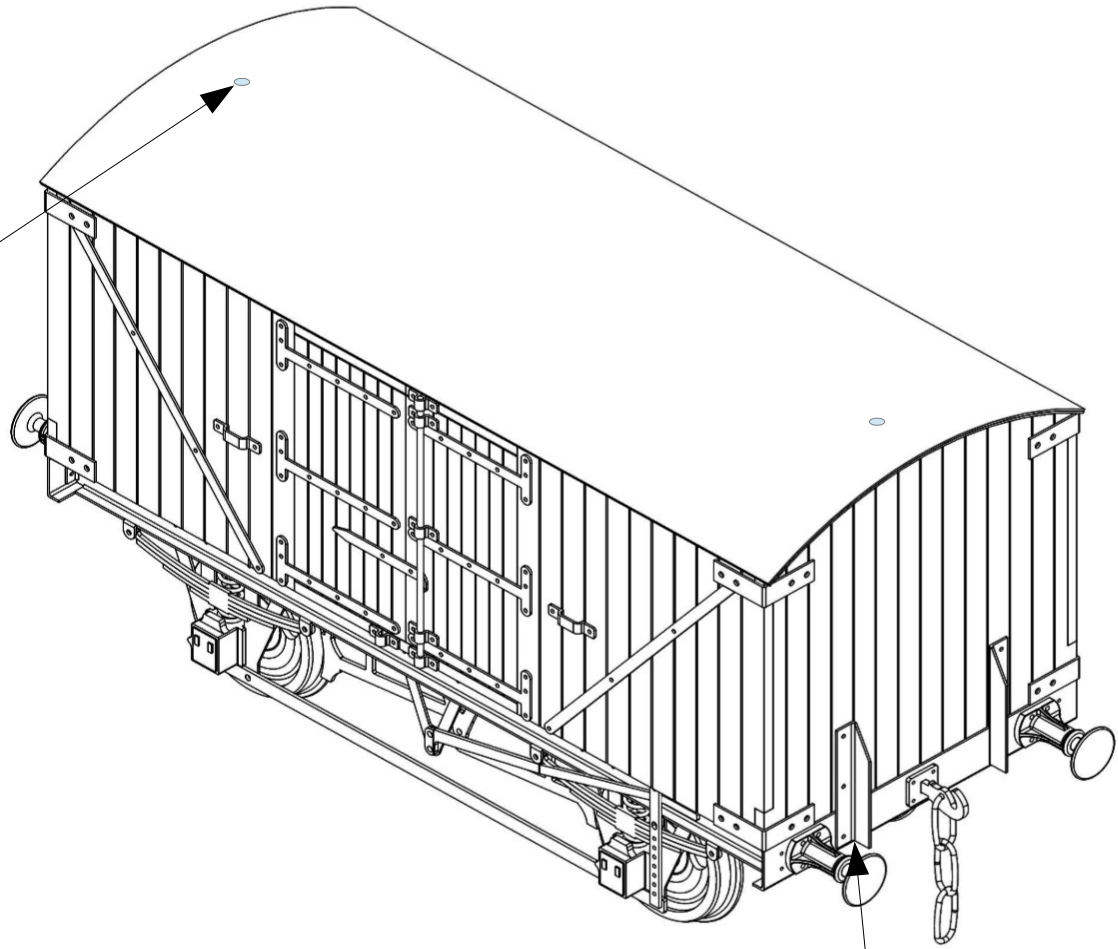
1x
Folded C section



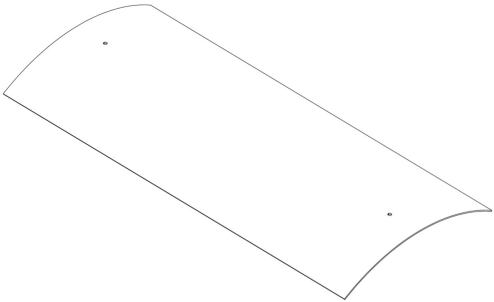
2x
Wooden Roof
inlays



Counter sunk
Bolt Together.
3MM
recommended.



Drill out holes and
Fit bolts to fit
strapping



1x
Folded Roof