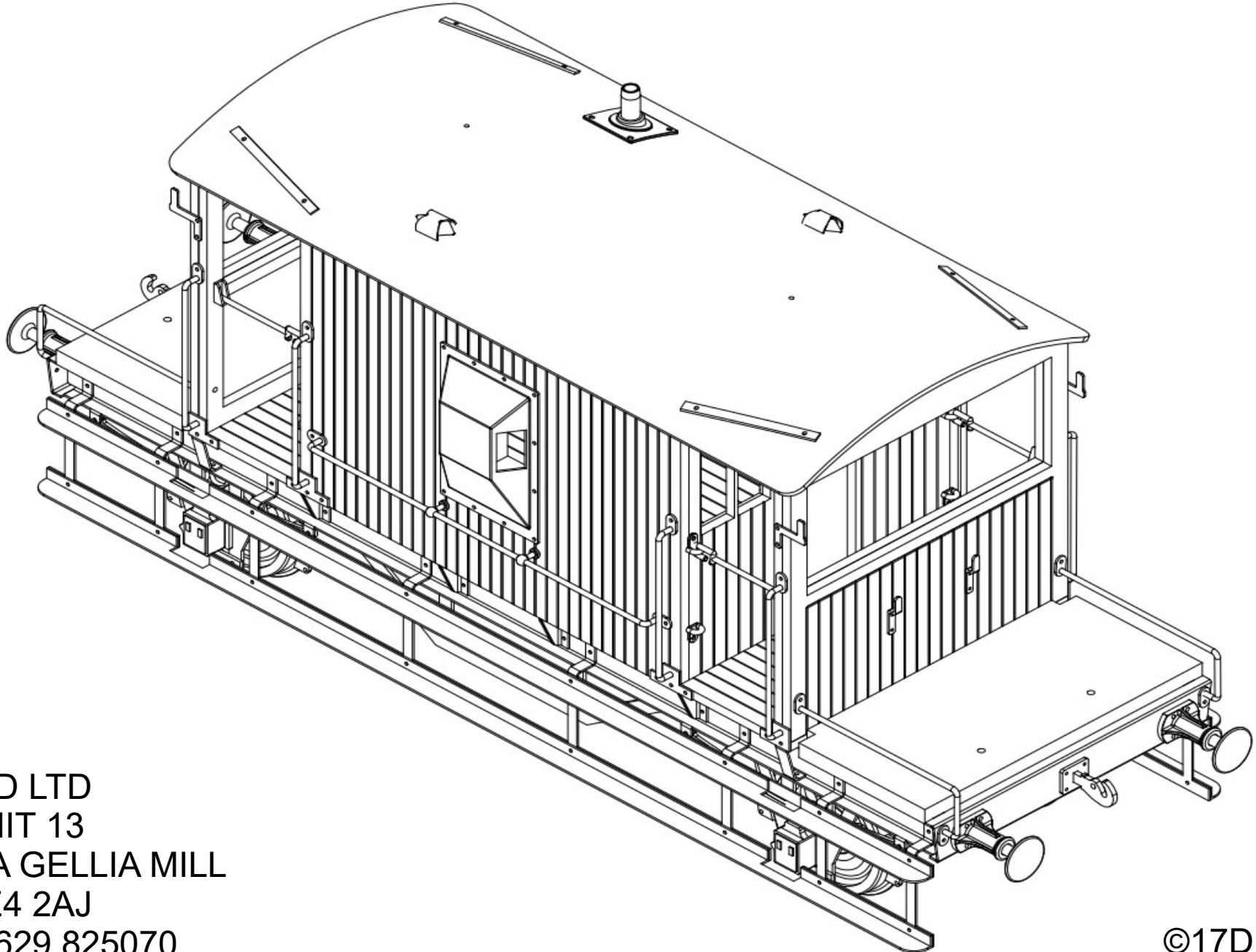


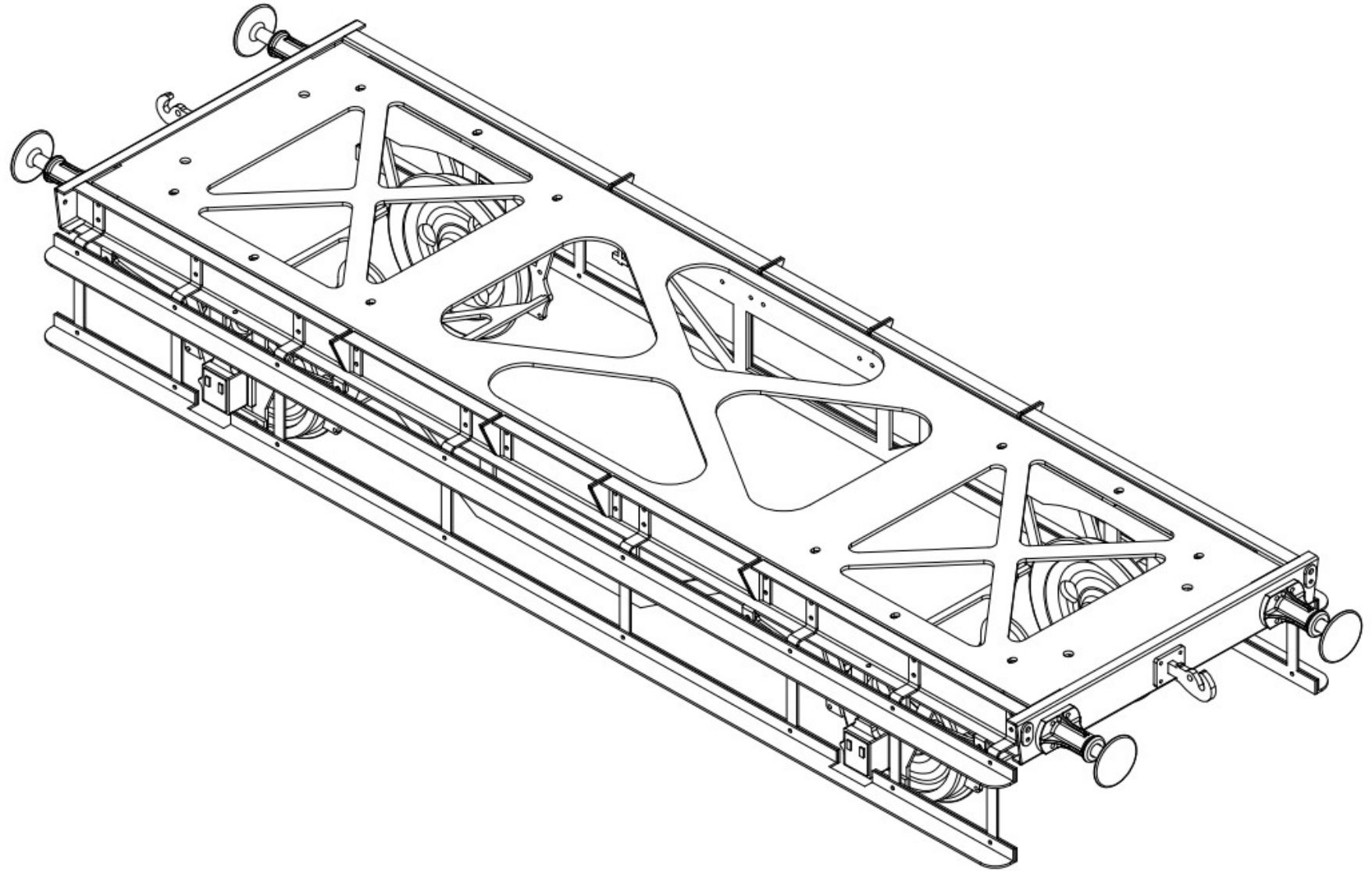
BR Brake Van Kit

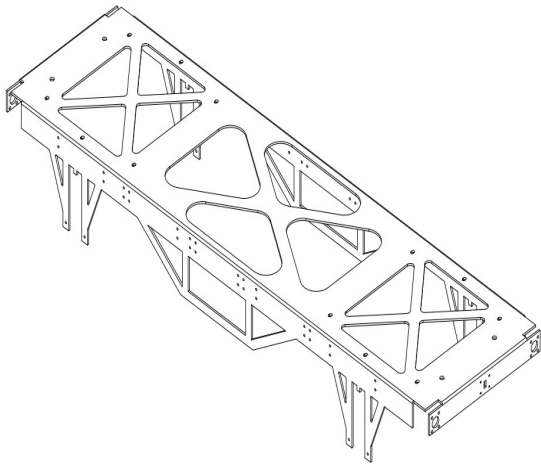


17D LTD
UNIT 13
VIA GELLIA MILL
DE4 2AJ
01629 825070

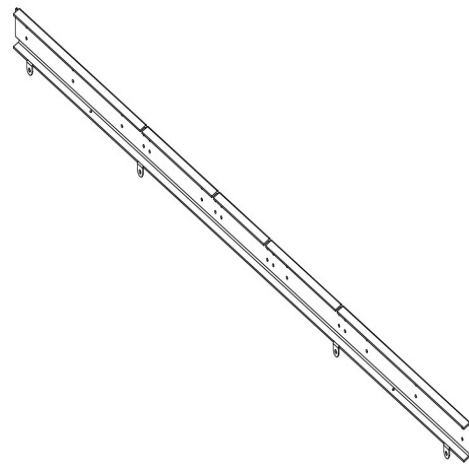
©17D LTD

Brake Van Chassis

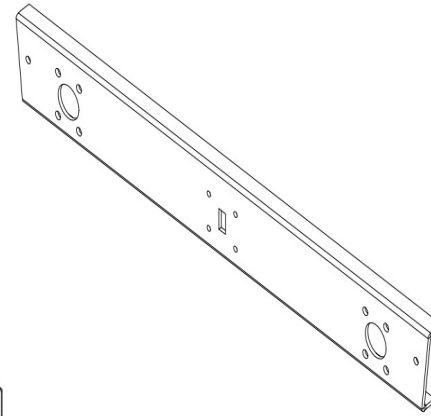




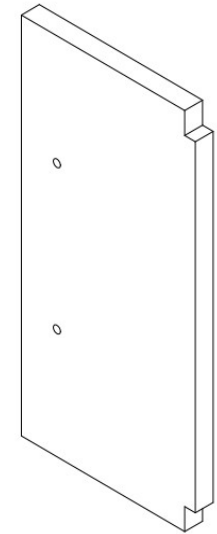
1x
Pre Folded Frame



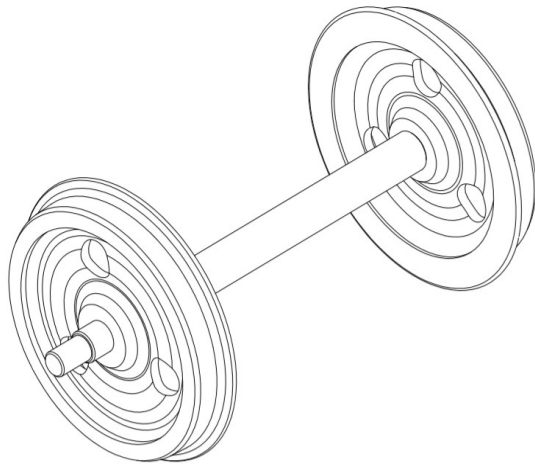
2x
Folded Sides



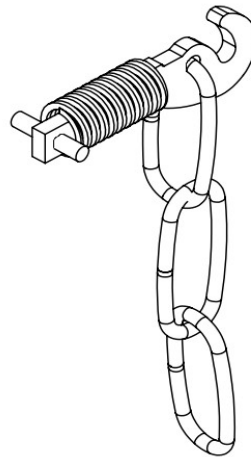
2x
Folded Buffer Beams



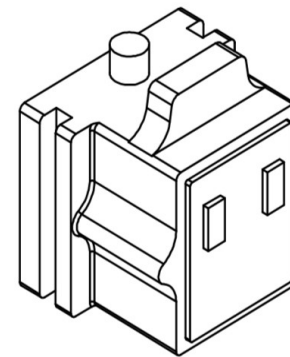
2x
Weight Blocks



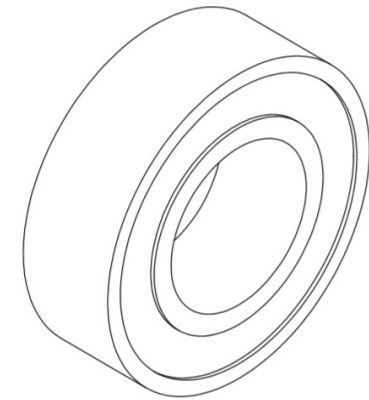
2x
Pressed Wheels
On Axle



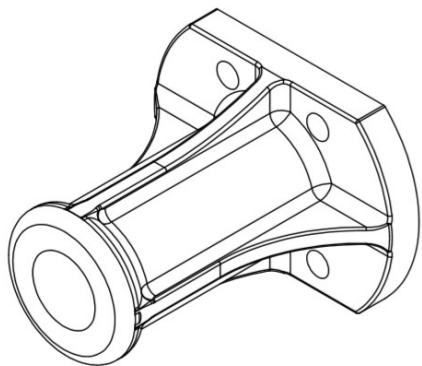
2x
Hook on Chain



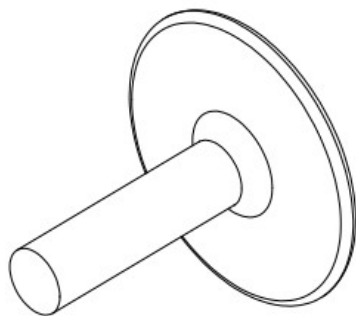
4x
Steel Axlebox



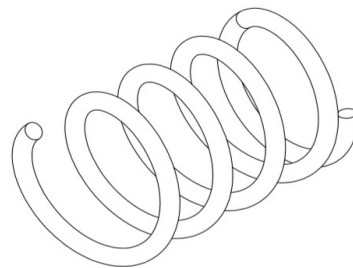
4x
Bearing



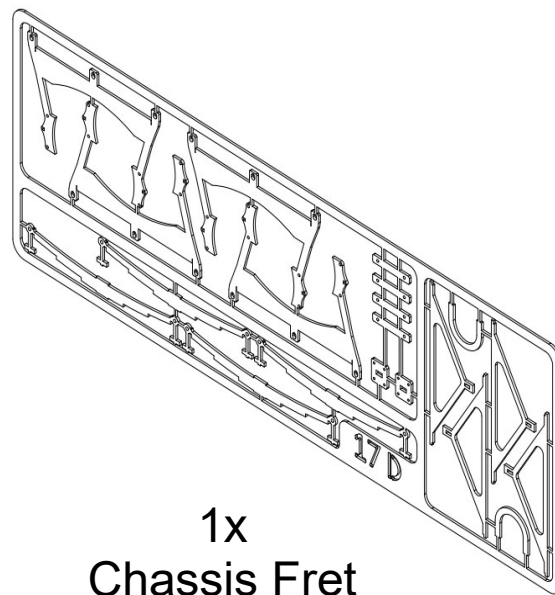
4x
RCH Buffer Stock



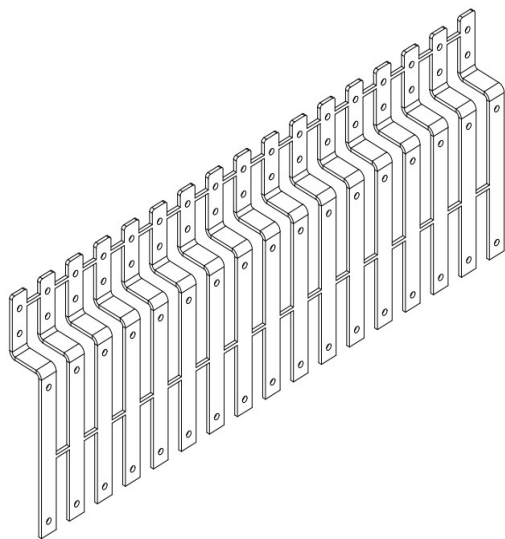
4x
RCH Buffer Head



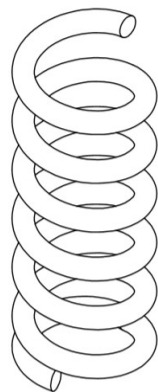
4x
RCH Buffer Springs
And Bolts



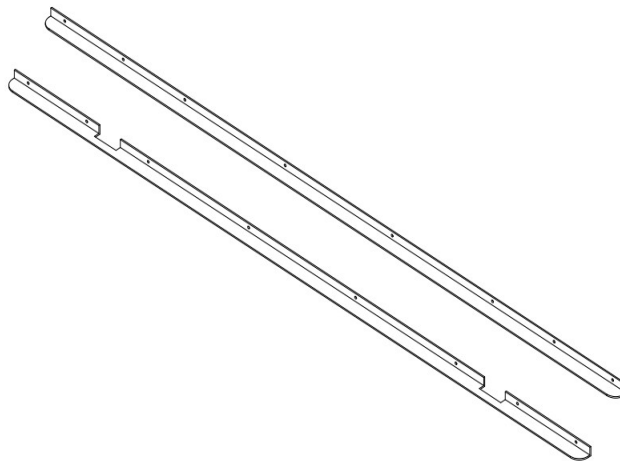
1x
Chassis Fret



1x
Folded Step Brackets
Fret



4x
Suspension Springs

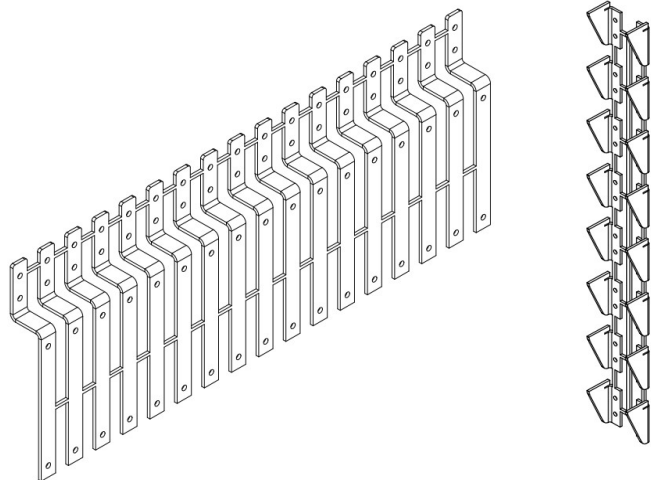
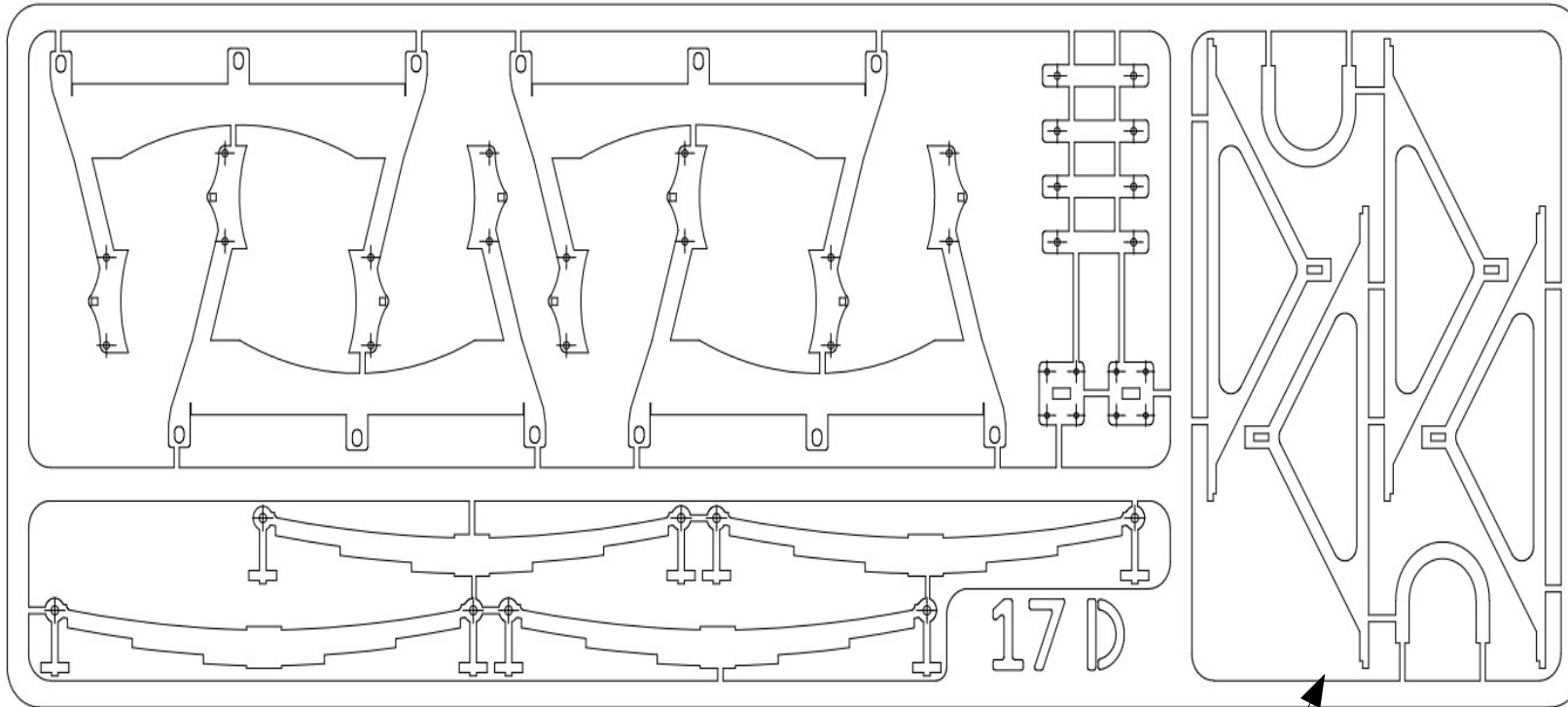


2x Folded Upper Steps
2x Folded Lower Steps

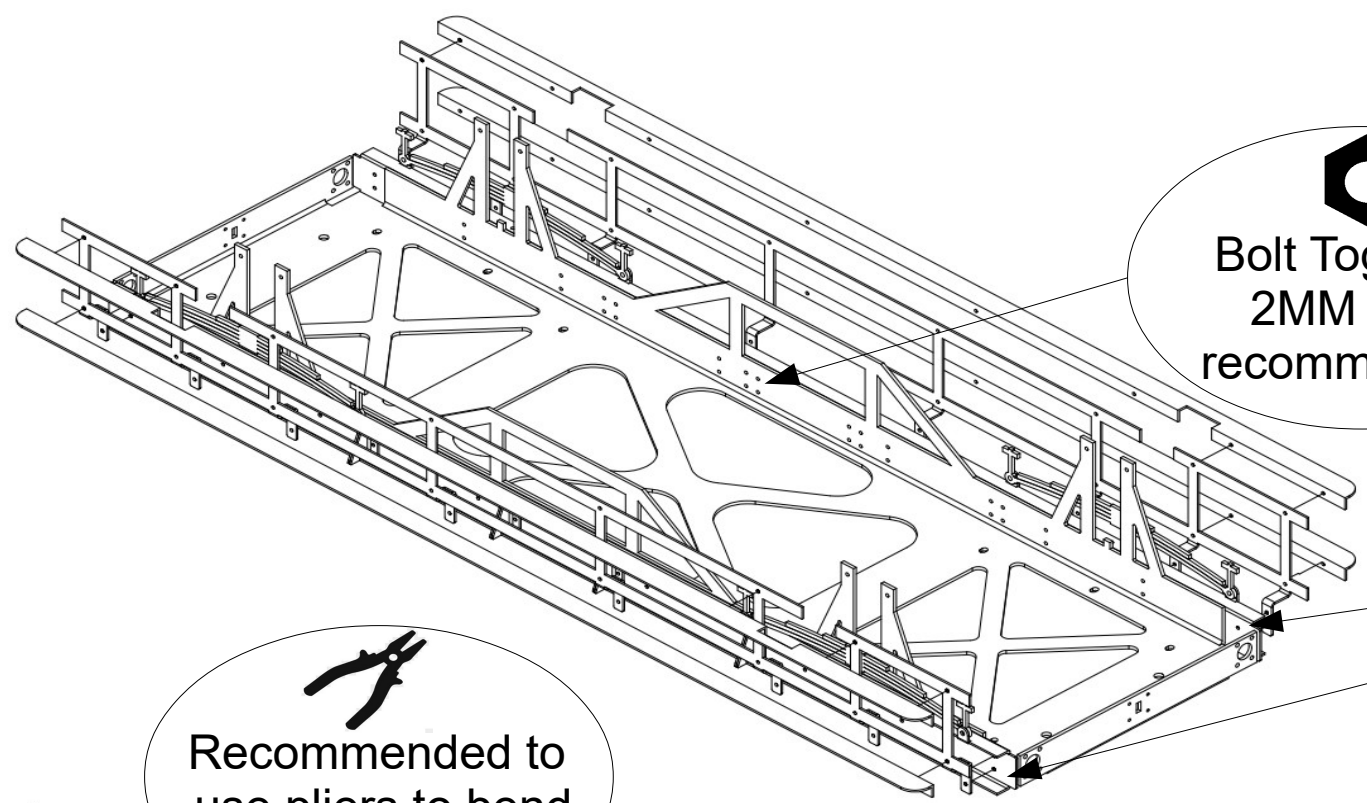



1x
Folded Brackets Fret

Cut out Parts



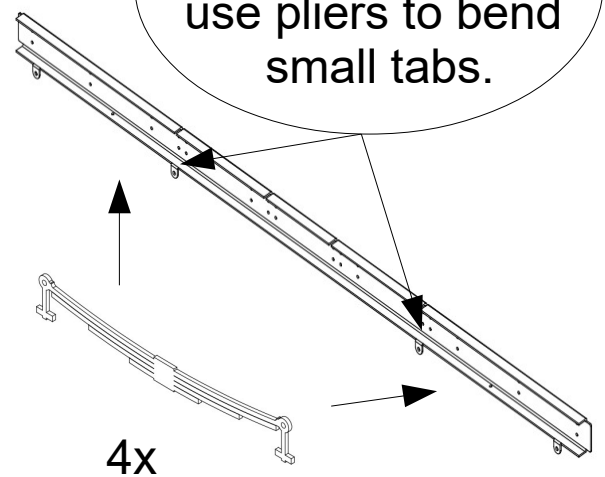
!
Note: Items on right are optional and required to be soldered onto Chassis.




 Bolt Together.
 2MM bolts
 recommended.

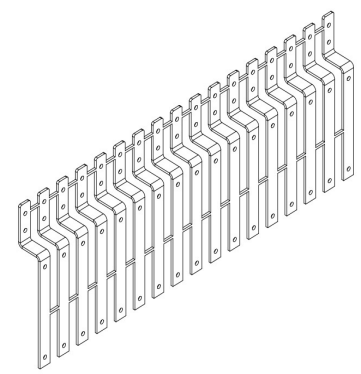
!
 Don't bolt ends till
 After buffers have
 been fitted.


 Recommended to
 use pliers to bend
 small tabs.

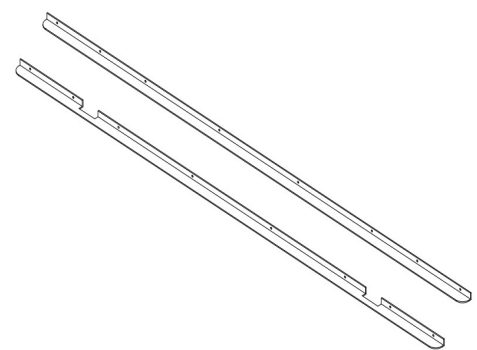


4x

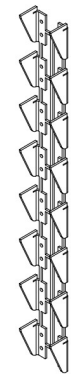
2x
Folded Sides



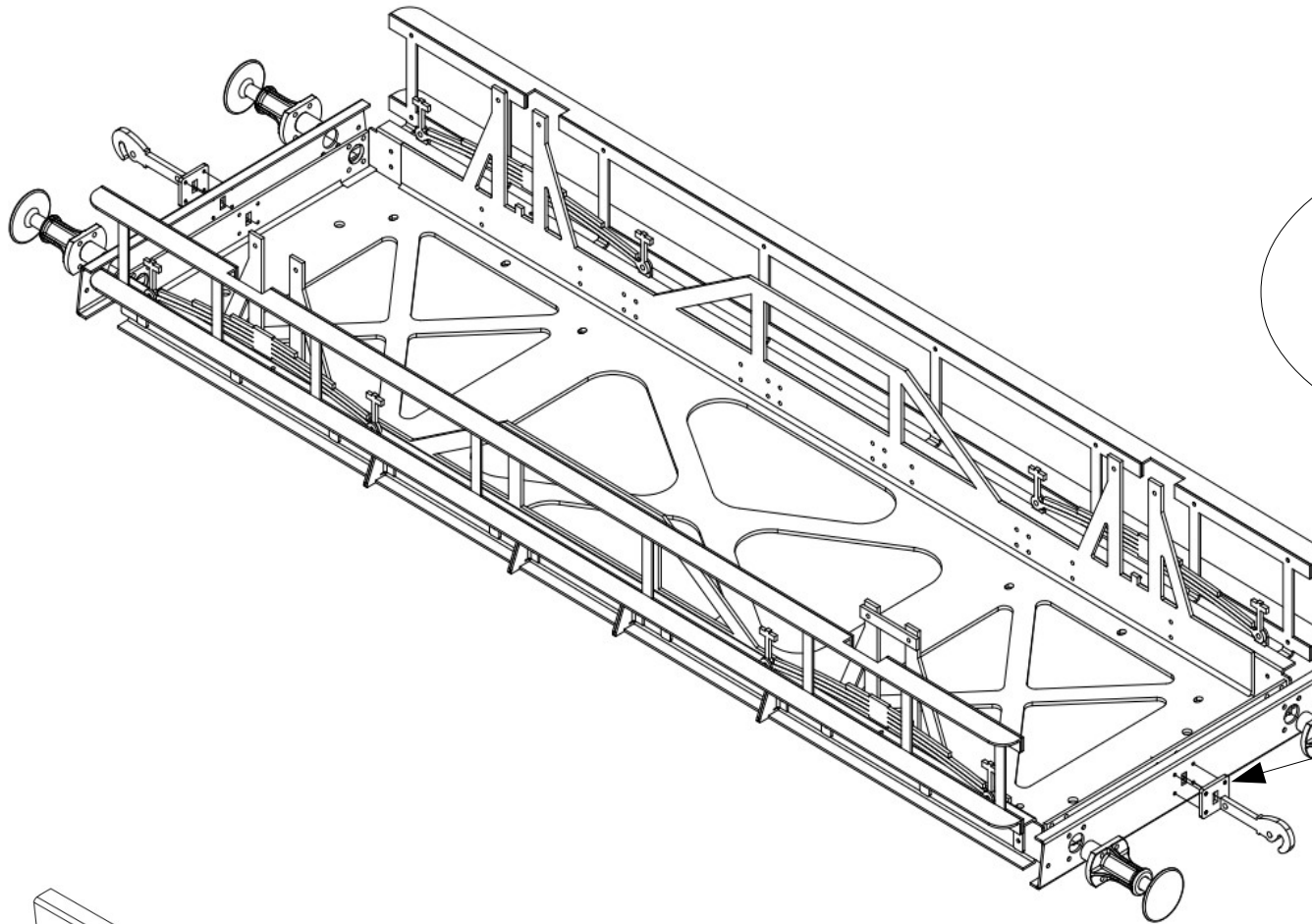
1x
Folded Step Brackets
Fret




2x Folded Upper Steps
2x Folded Lower Steps

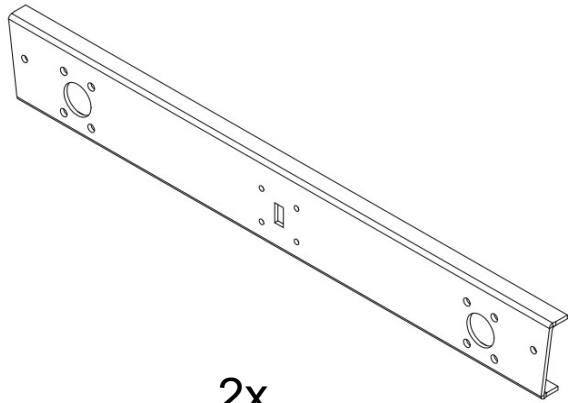


1x
Folded Brackets Fret

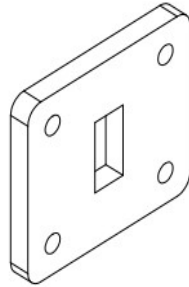



Bolt Together.
2MM bolts
recommended.

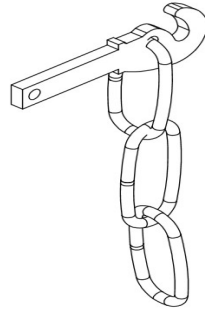

Rivet into place.
1/16 x 3/16 rivets
recommended.



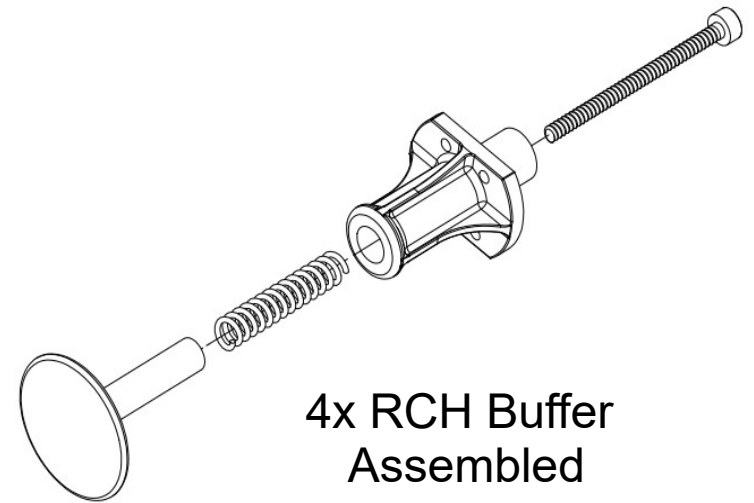
2x
Folded Buffer Beams



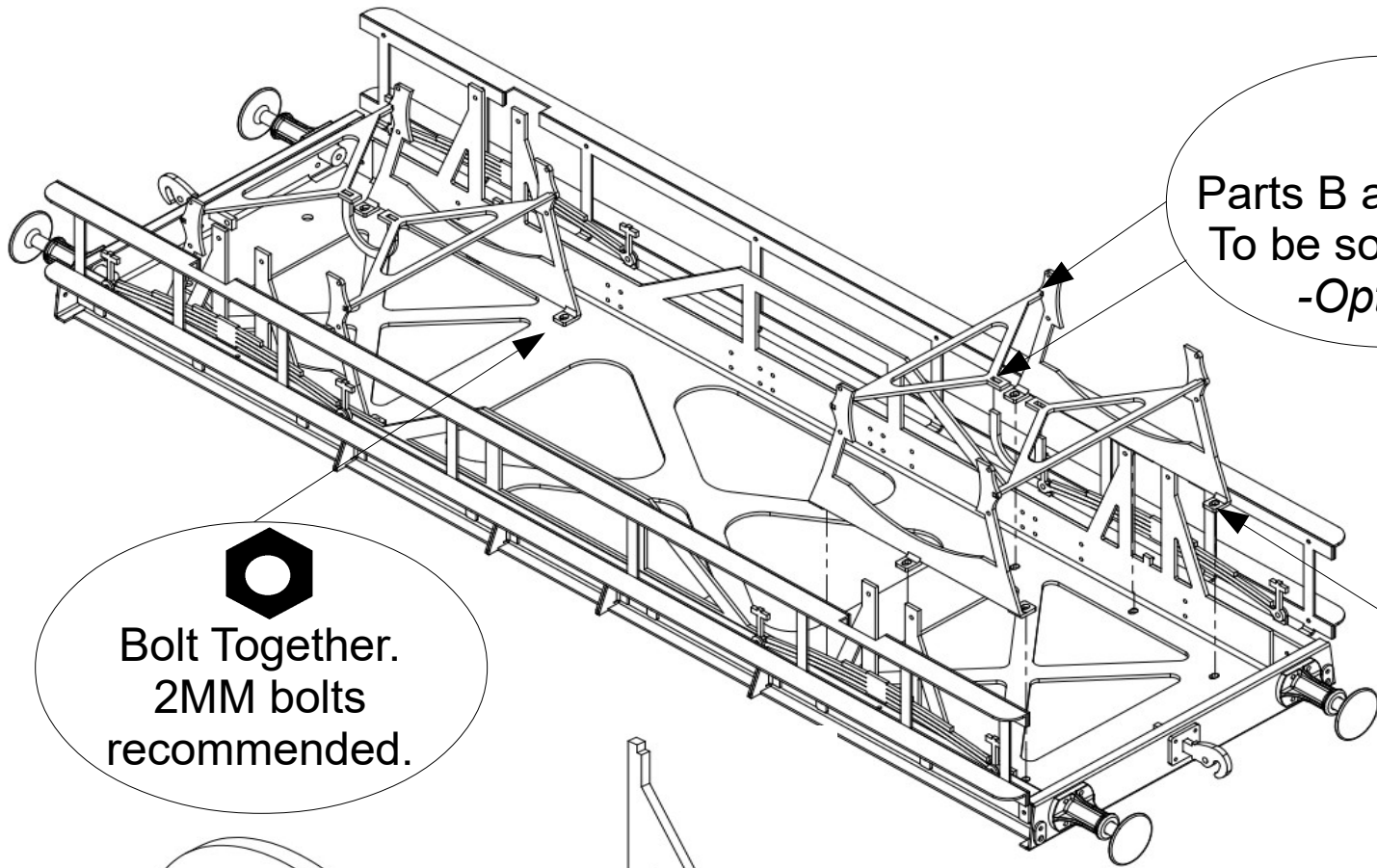
2x
Mounting Pad




2x
Hook on Chain



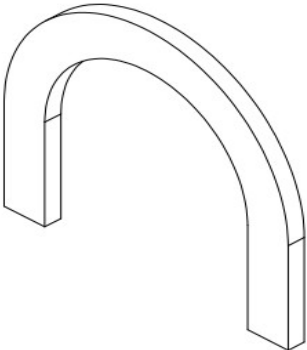
4x RCH Buffer
Assembled



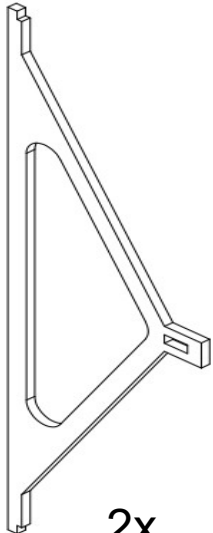
!
Parts B and C need
To be soldered on.
-Optional-


Bolt Together.
2MM bolts
recommended.

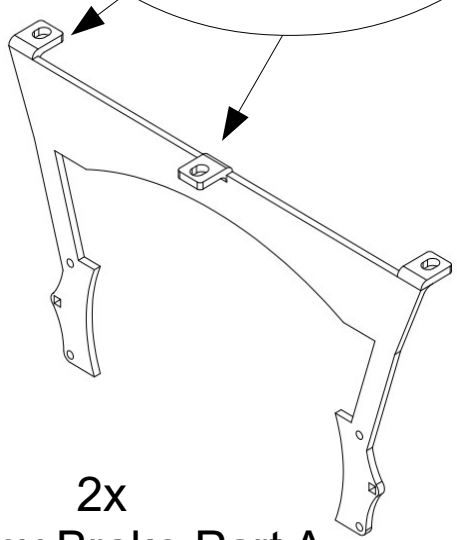

Recommended to
use pliers to bend
small tabs.



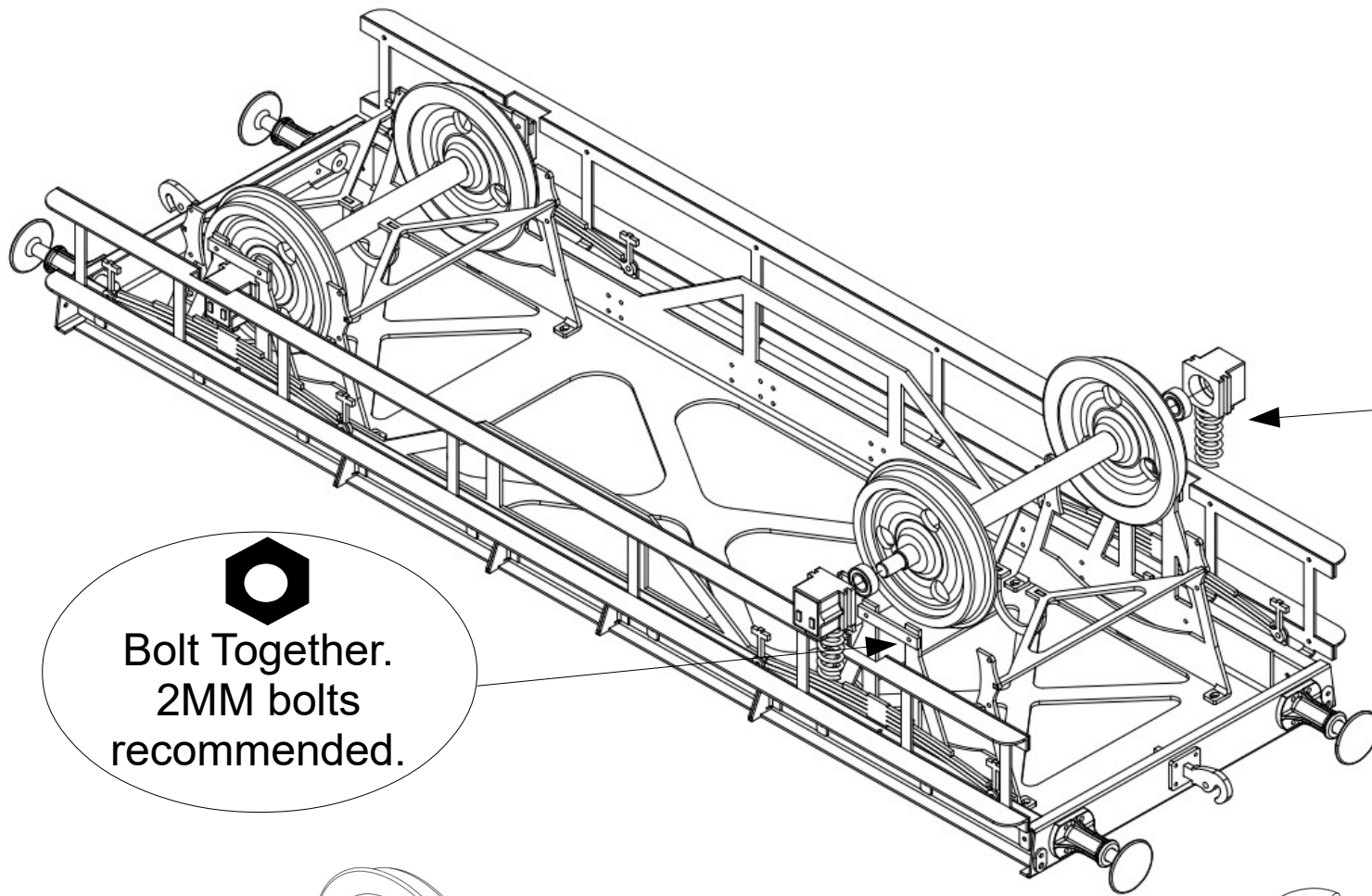
2x
Dummy Brake Part C
-Optional-



2x
Dummy Brake Part B
-Optional-

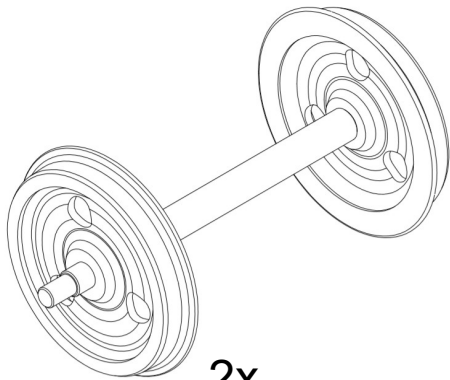


2x
Dummy Brake Part A

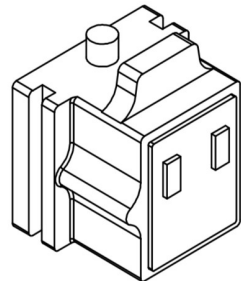



Bolt Together.
2MM bolts
recommended.

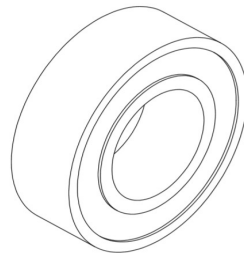
!
Put spring in
place first
followed by
axle box
assembly
then axle
keep last.



2x
Pressed Wheels
On Axle



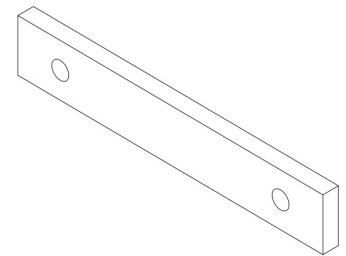
4x
Axlebox



4x
Bearings

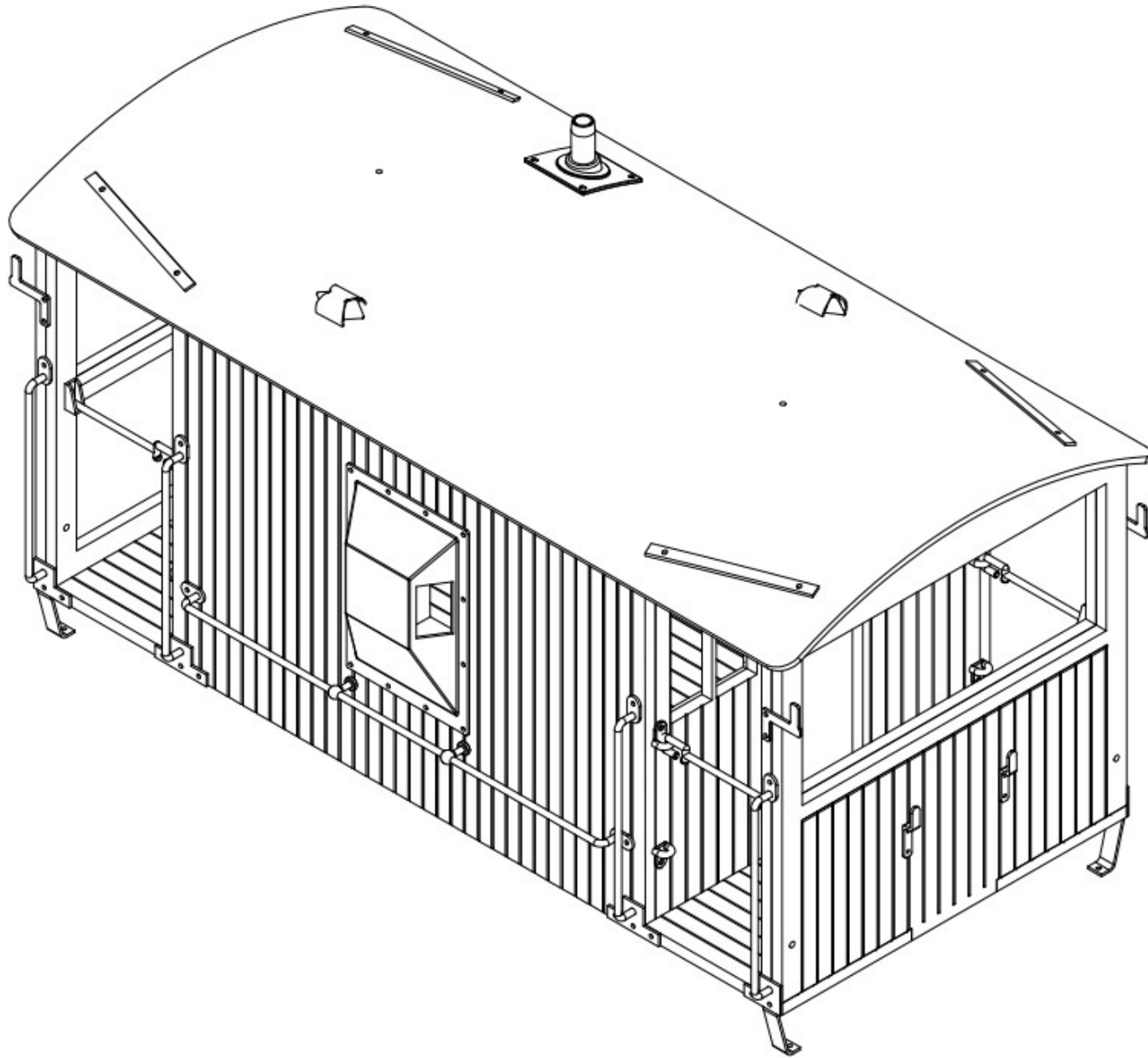


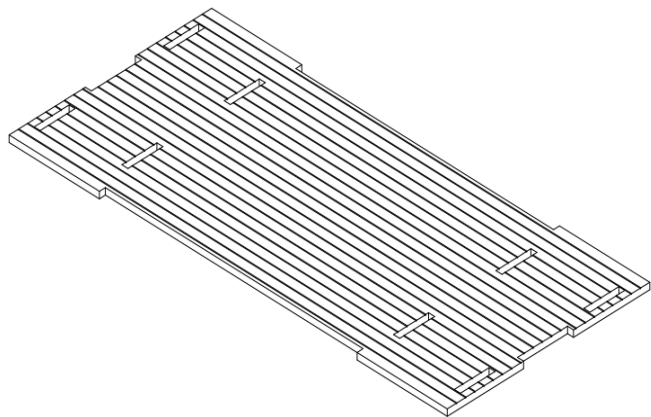
4x
Suspension
Spring



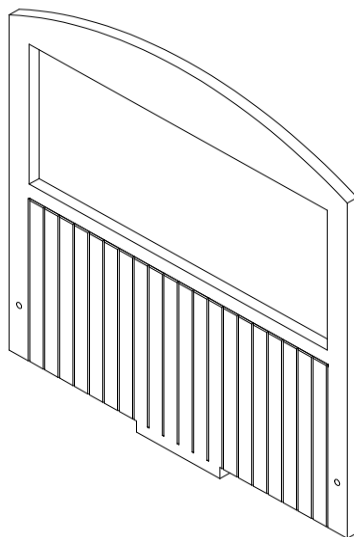
4x
Axlebox Keep

BR Brake Van Body

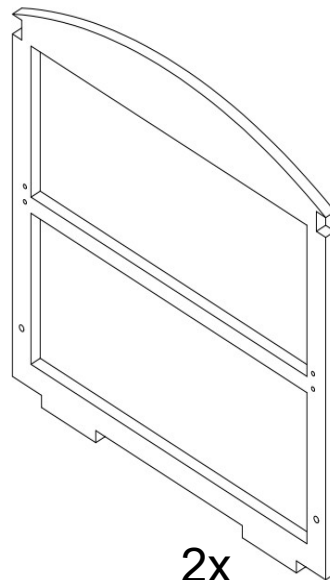




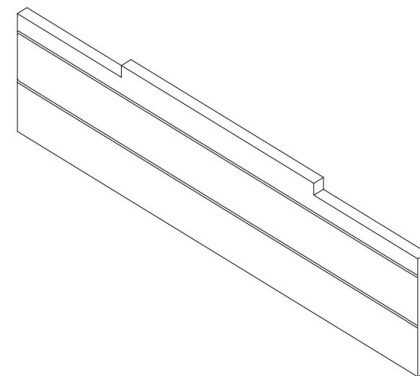
1x
Wooden Base



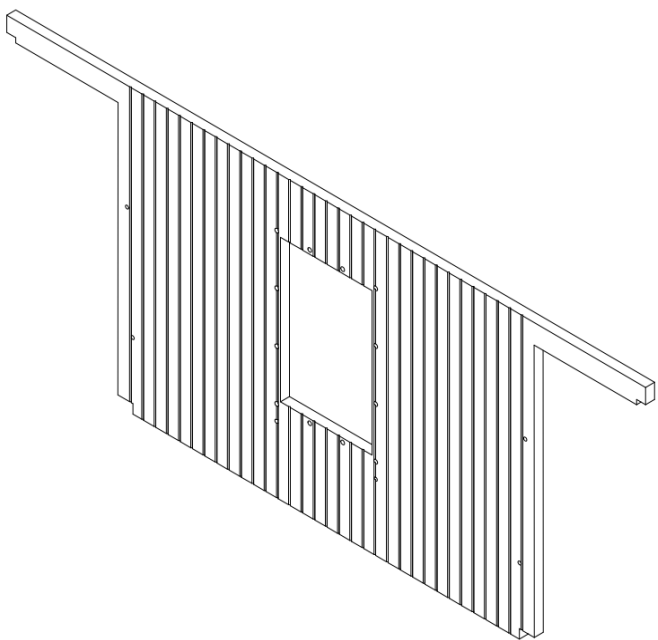
2x
Wooden End Outer



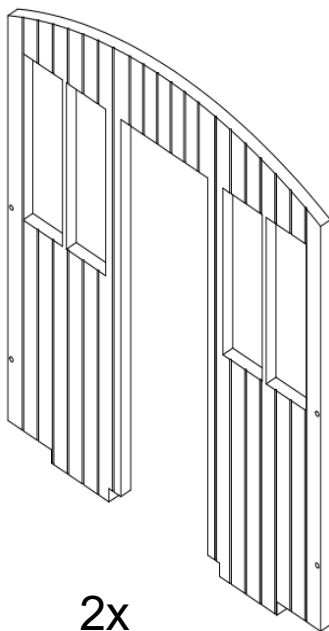
2x
Wooden End Inner



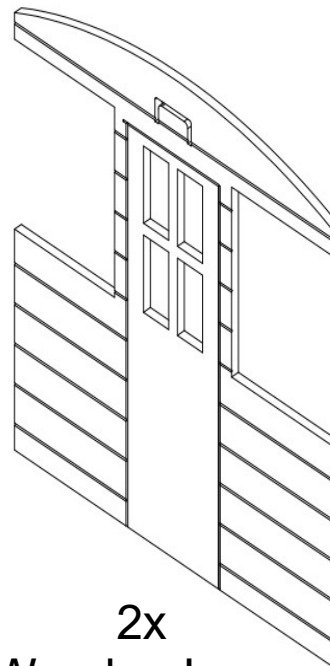
2x
Wooden Seat



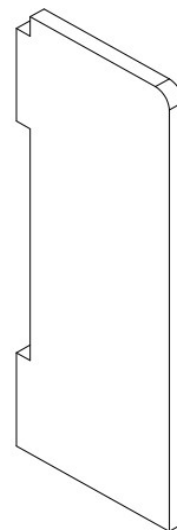
2x
Wooden Sides



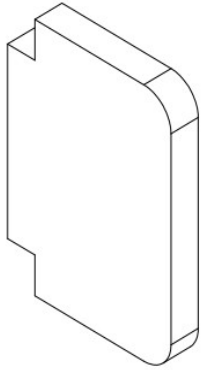
2x
Wooden Outer
Doorway



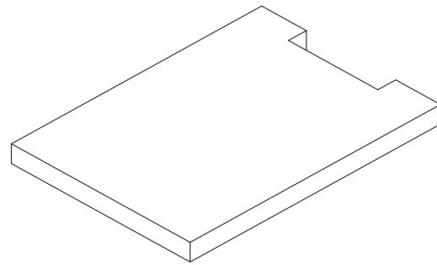
2x
Wooden Inner
Doorway



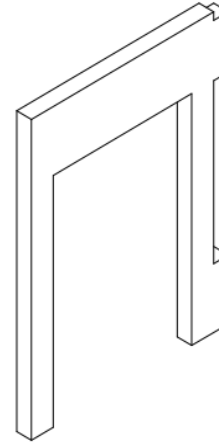
2x
Wooden Seat Side



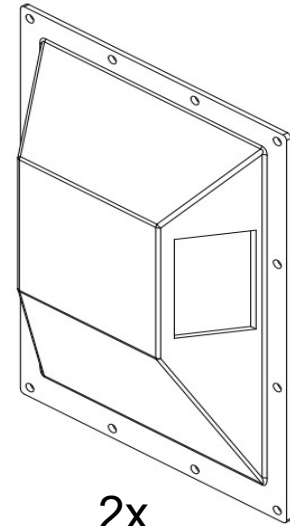
2x
Wooden Seat Detail



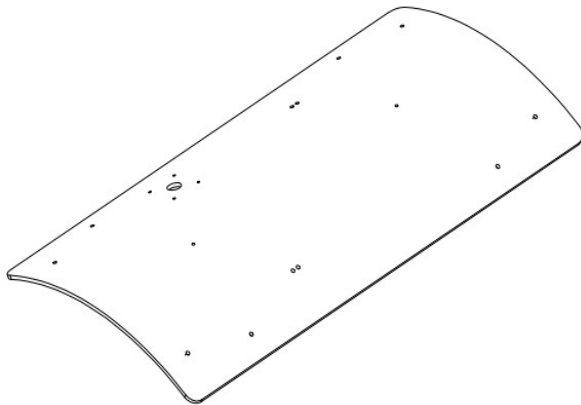
1x
Wooden Desk A



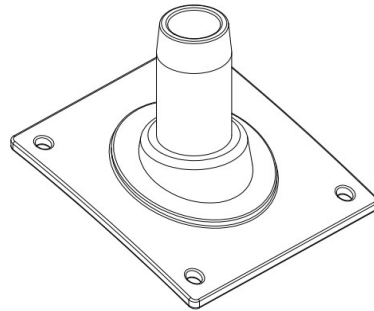
1x
Wooden Desk B



2x
Ducket



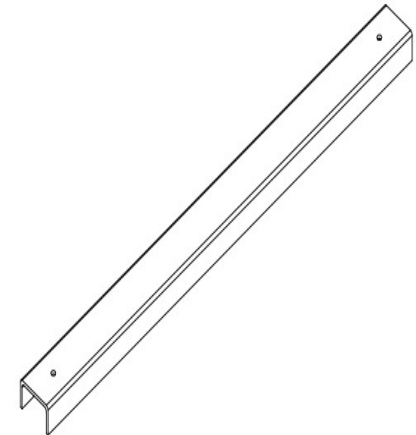
1x
Rolled Roof



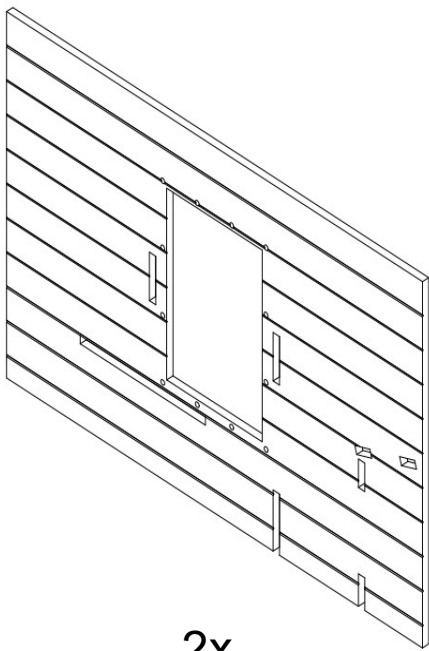
1x
Cast Chimney



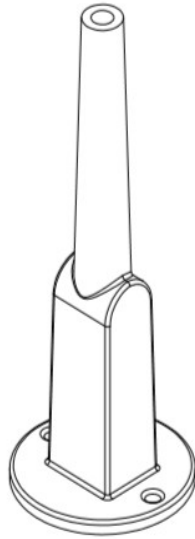
2x
Cast Roof Vent



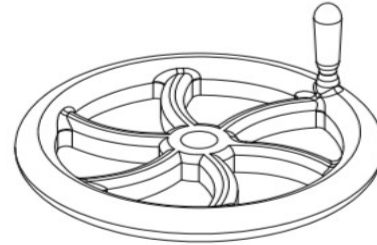
1x
Roof Bar



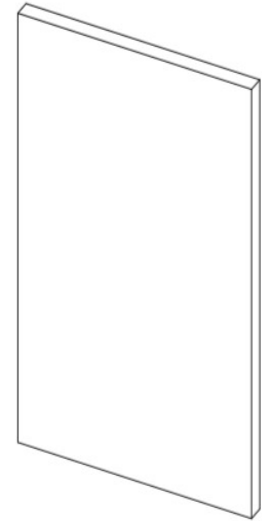
2x
Wooden Interior
Sides



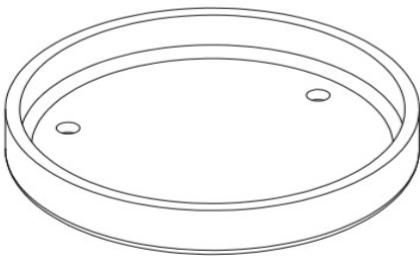
1x
Brake Stand



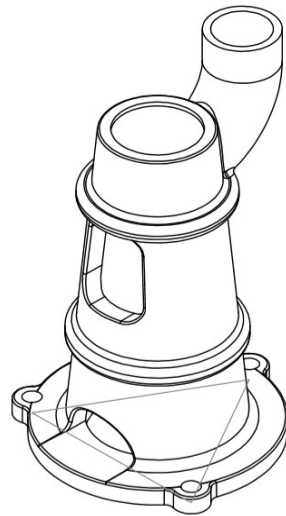
1x
Brake Wheel



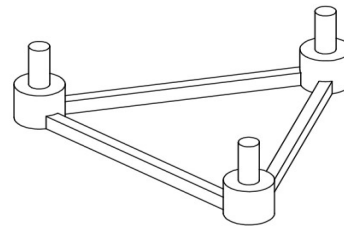
Windows
4x 40mm x 19mm
4x 78mm x 53mm
2x 74mm x 36mm



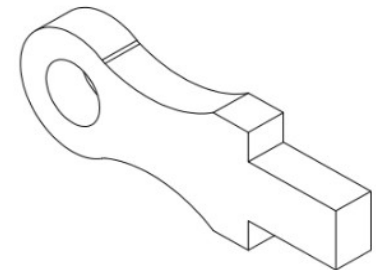
1x
Stove Base



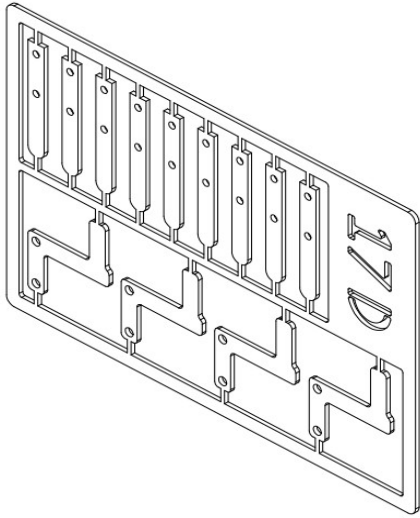
1x
Stove Body



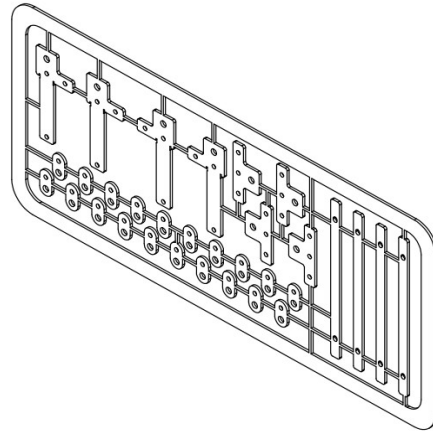
1x
Stove Feet



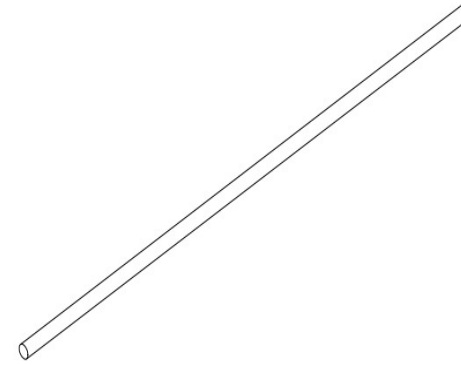
4x
Hand rail Bracket



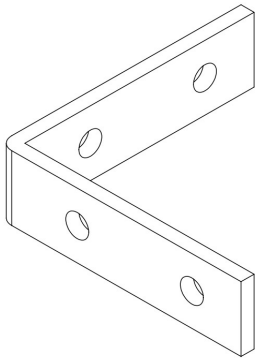
1x
Lamp Iron Fret



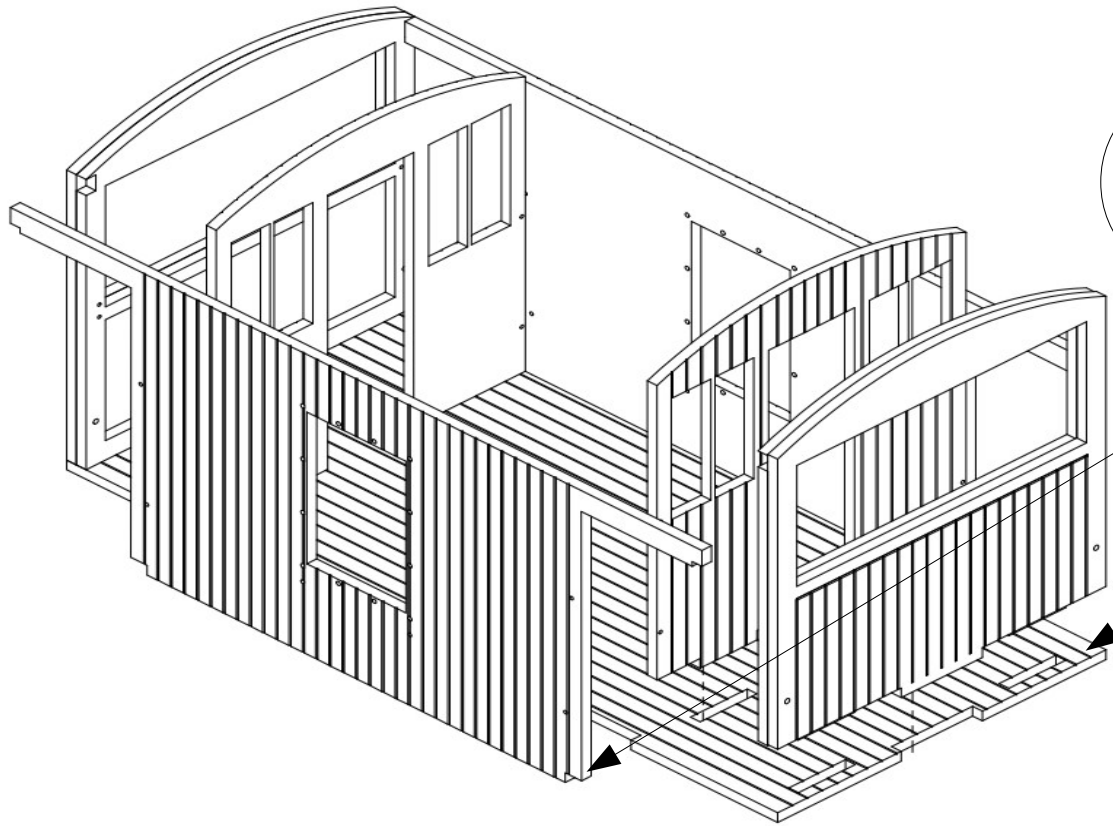
1x
Body Strapping Fret




4x
3mm Bar for handrails
(600mm)

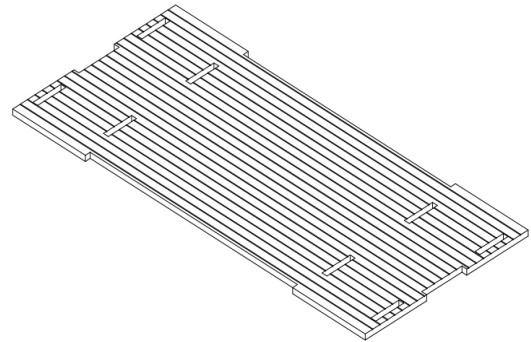
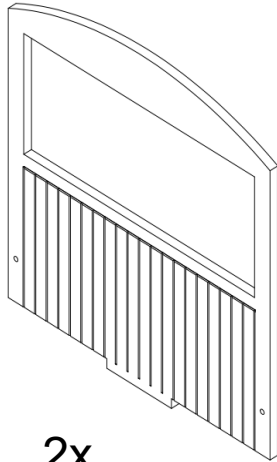
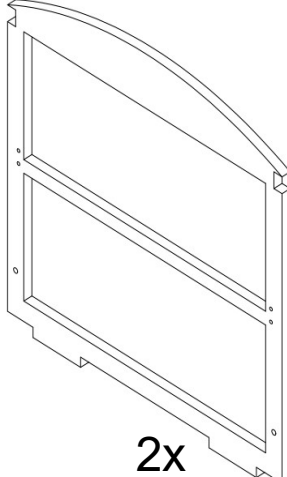
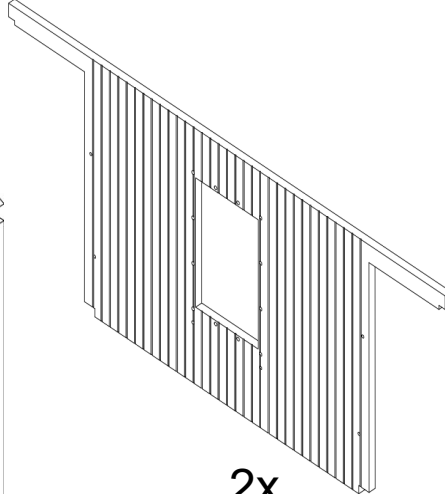
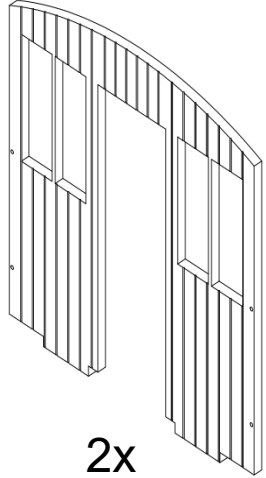


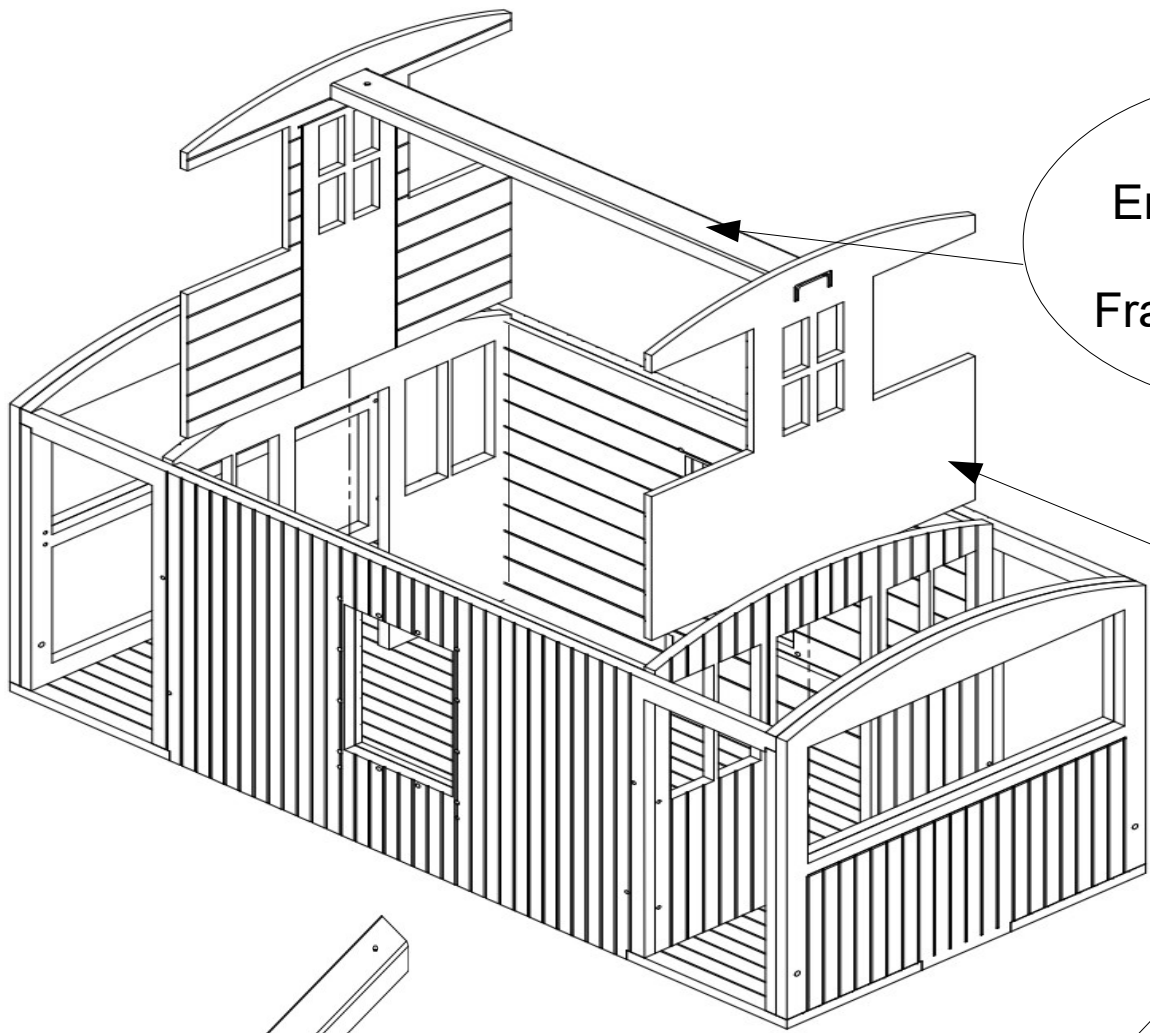
4x
Corner Strapping




!
Some edges may
require filing for
proper fit


Glue wooden
Sections to form
body

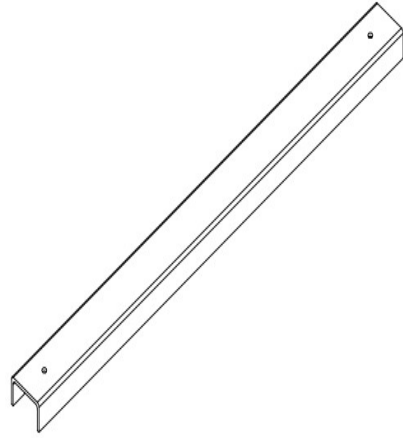
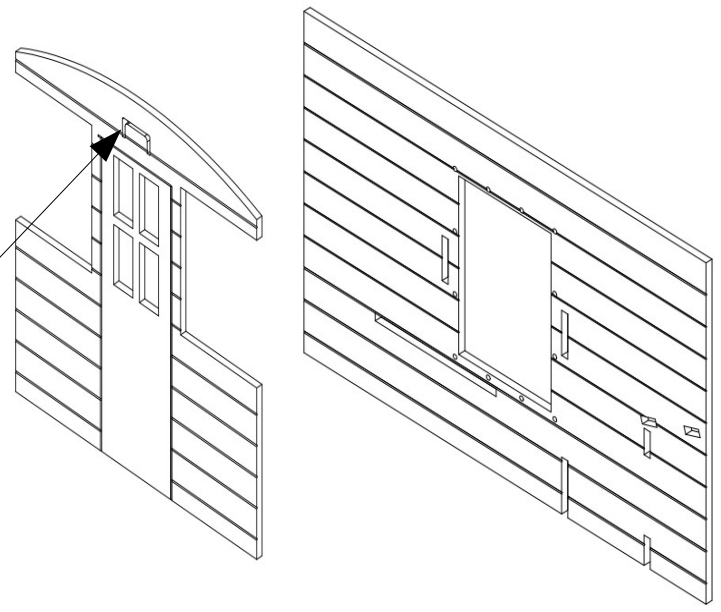
- 
1x
Wooden Base
- 
2x
Wooden End Outer
- 
2x
Wooden End Inner
- 
2x
Wooden Sides
- 
2x
Wooden Outer Doorway

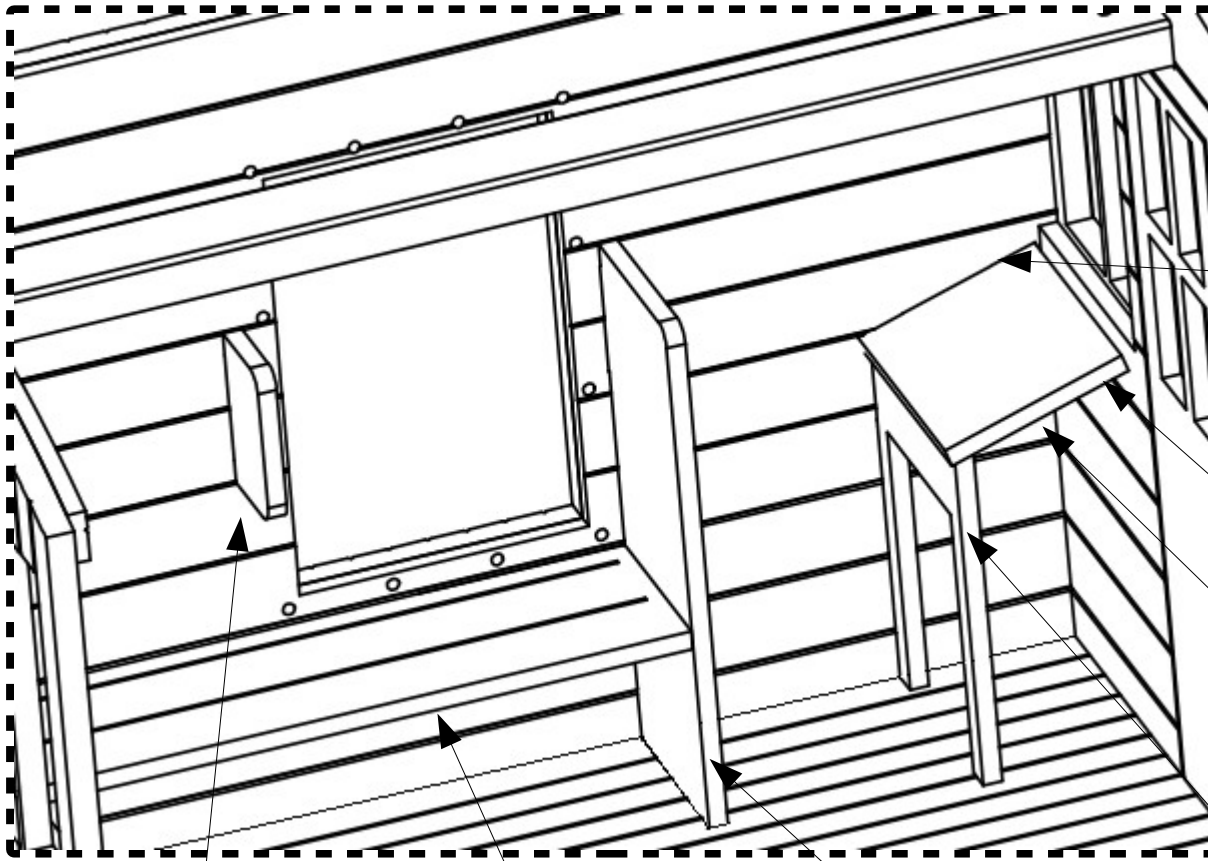


!
Ensure roof bracket
Is placed inside
Frame before glueing
In as shown.



Glue wooden
Sections to form
body

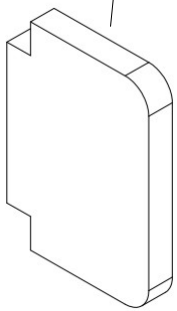
!
Some edges may
require filing for
proper fit





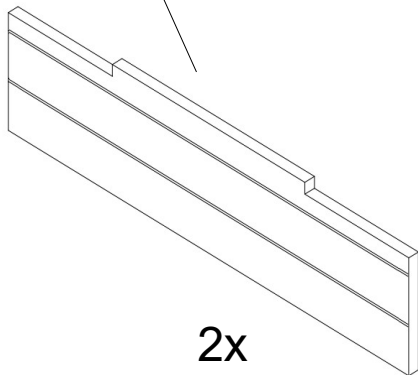
!
Some edges may require filing for proper fit


Glue wooden parts to form interior



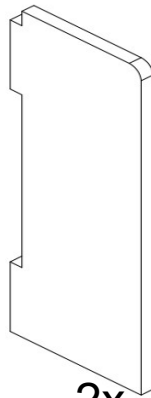
2x

Wooden Seat Detail



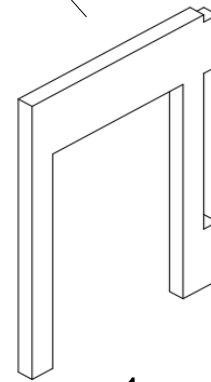
2x

Wooden Seat



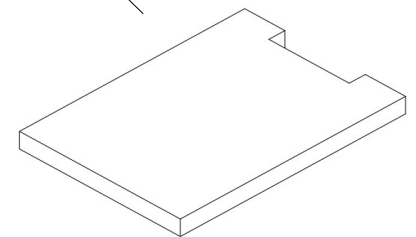
2x

Wooden Seat Side



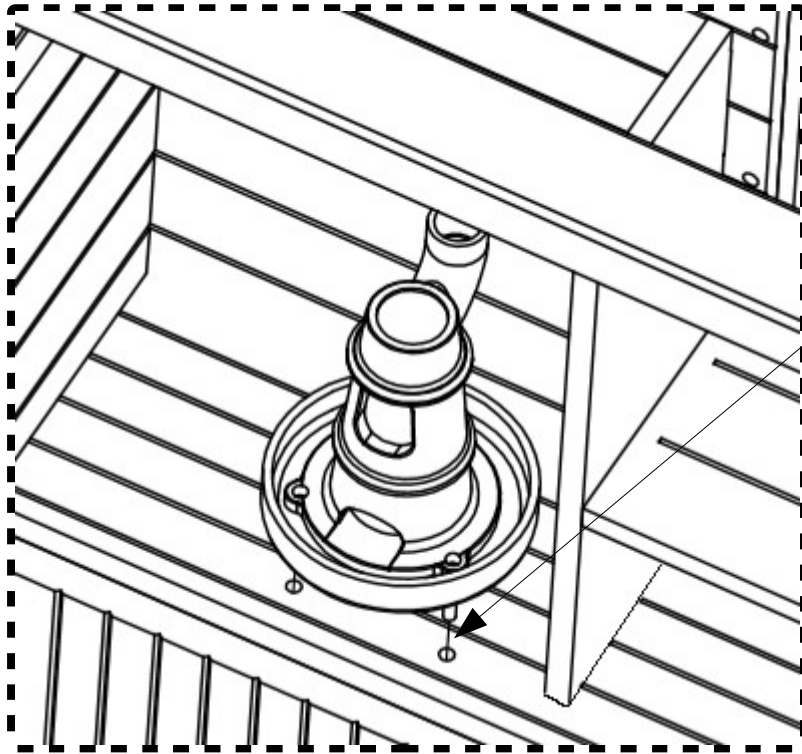
1x

Wooden Desk B



1x

Wooden Desk A



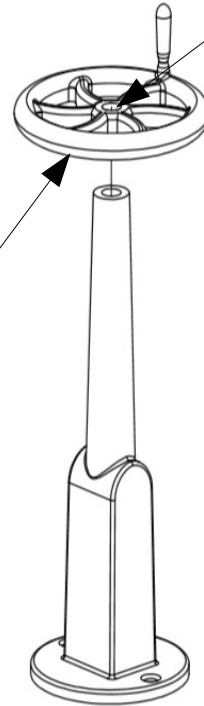
Glue wooden parts to form interior



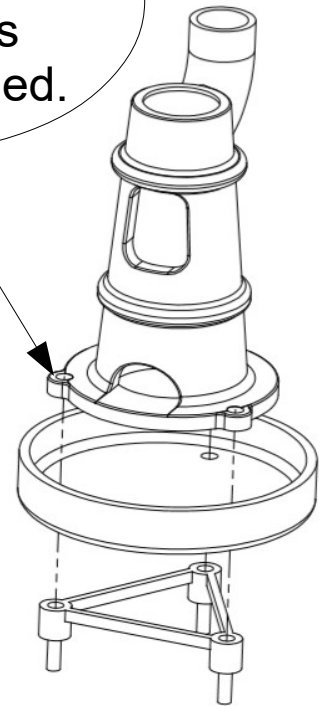
Bolt Together.
2MM bolts recommended.



Some edges may require filing for nice finish

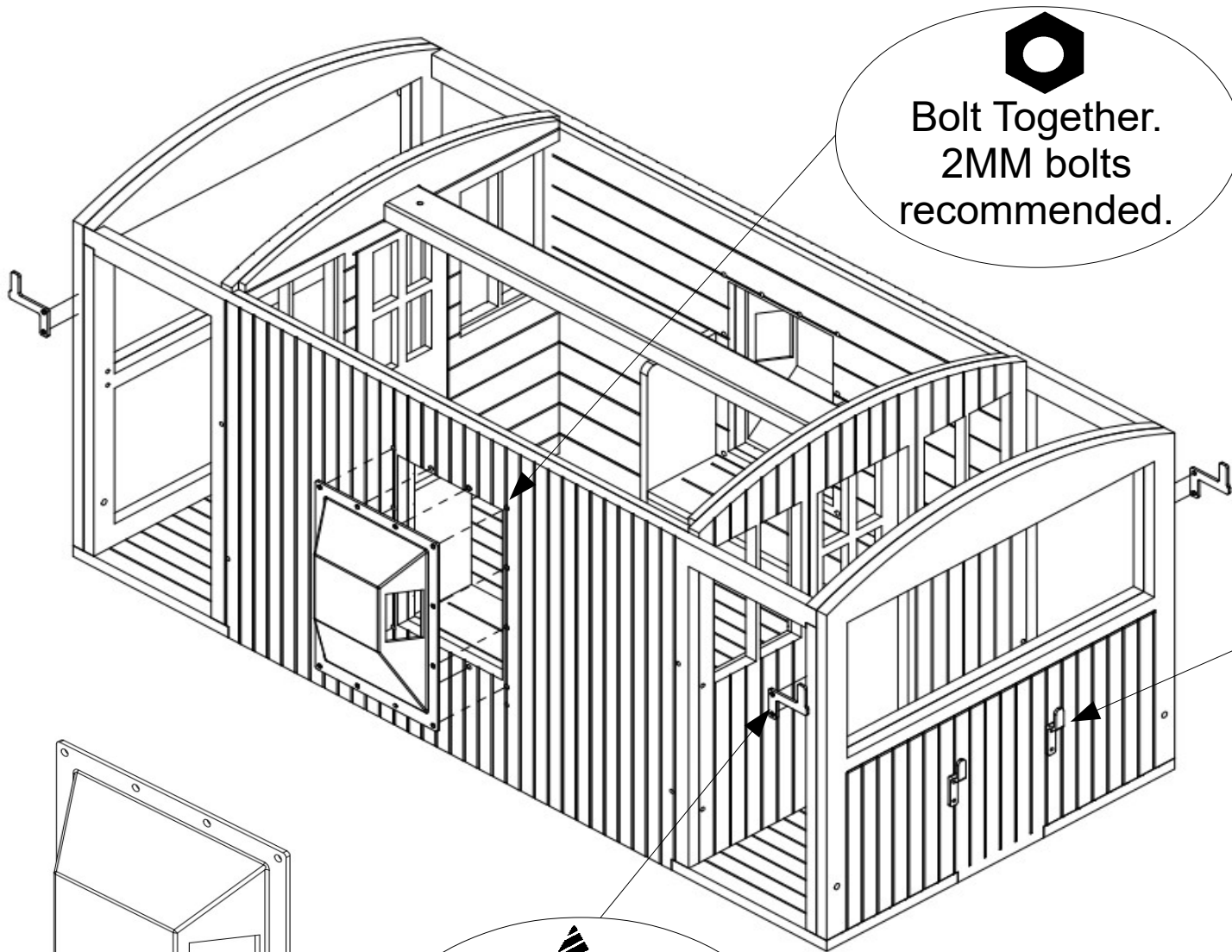



1x
Brake Handle
Assembled



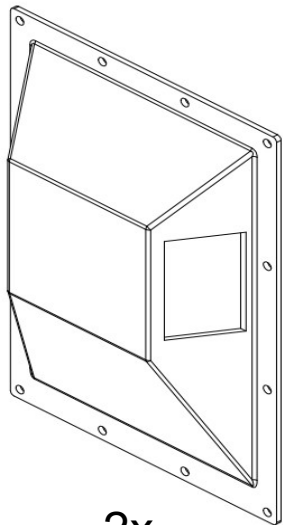
1x
Stove Assembled

5




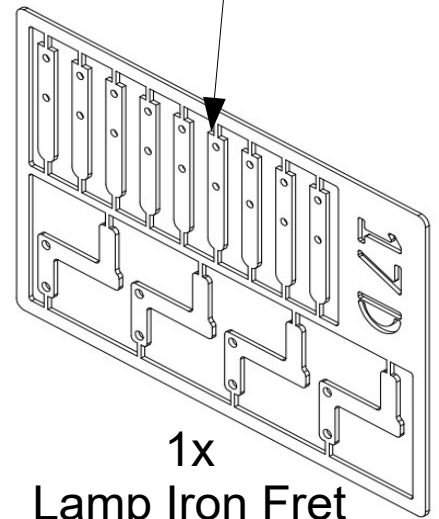

Bolt Together.
2MM bolts
recommended.


Recommended to
use pliers to bend
small tabs.

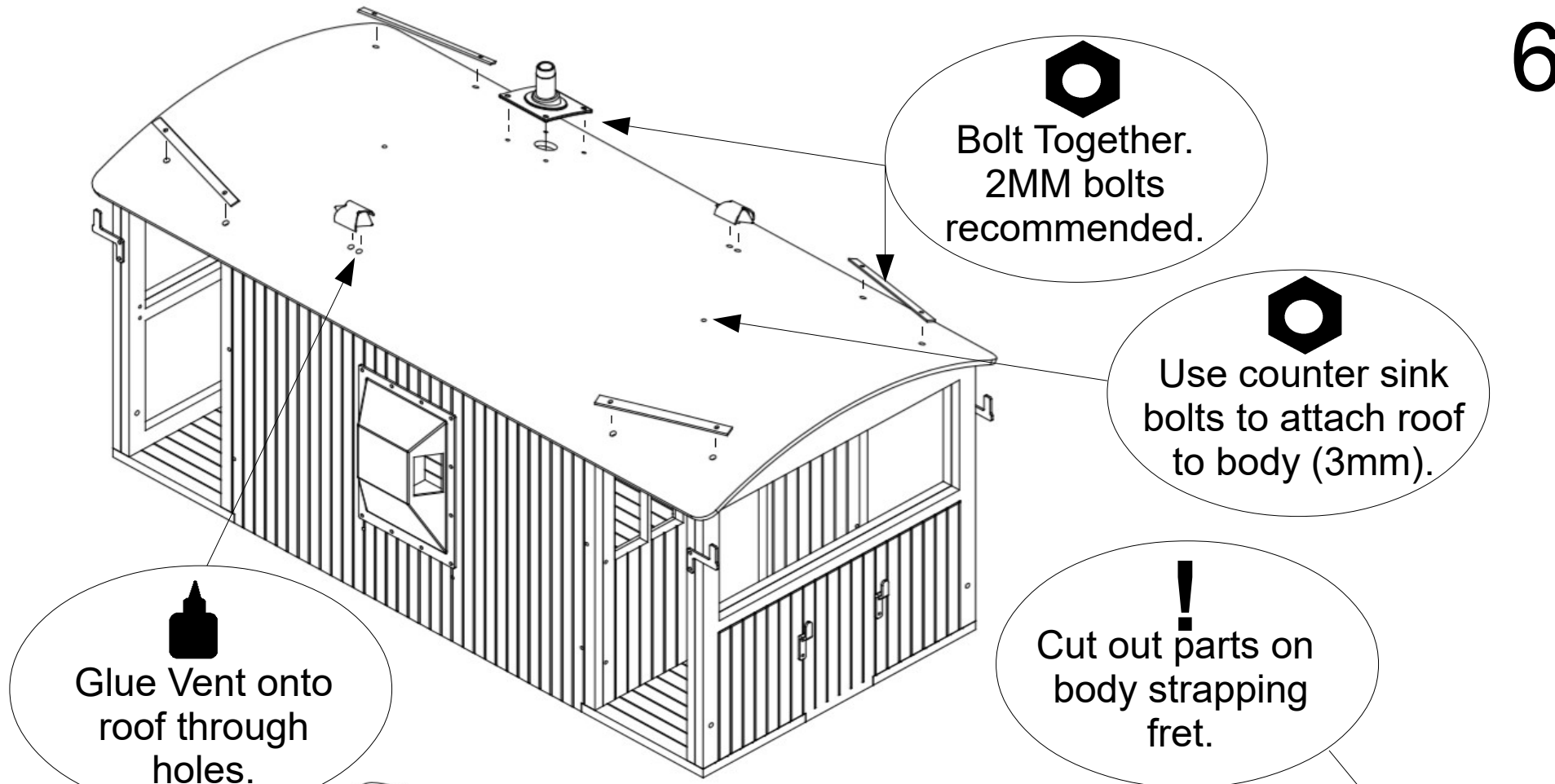


2x
Ducket



Drill out holes and
fit bolts for side
lamp irons





1x
Lamp Iron Fret

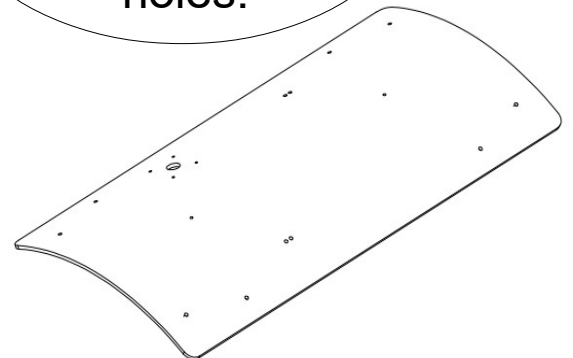



Glue Vent onto roof through holes.

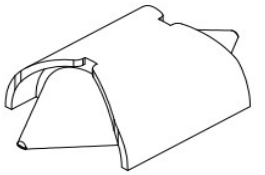

Bolt Together.
2MM bolts recommended.


Use counter sink bolts to attach roof to body (3mm).

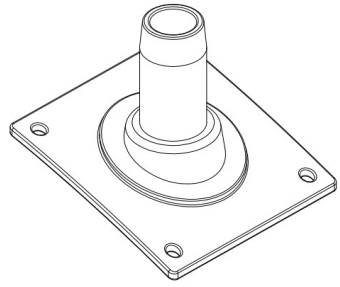

Cut out parts on body strapping fret.



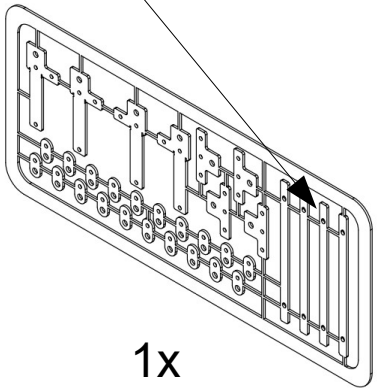
1x
Rolled Roof




2x
Cast Roof Vent

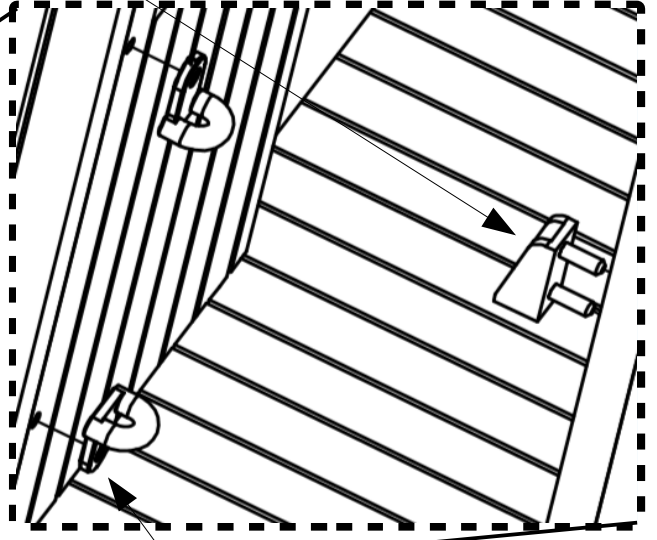



1x
Cast Chimney



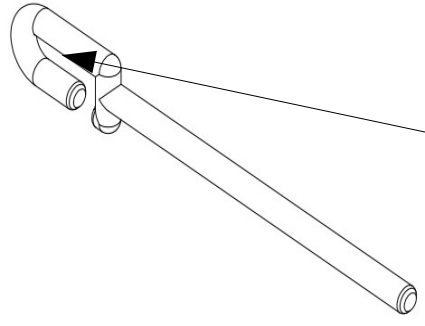
1x
Body Strapping Fret


Glue Parts into
body.

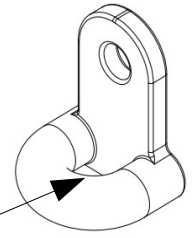



Bolt Together.
2MM bolts
recommended.

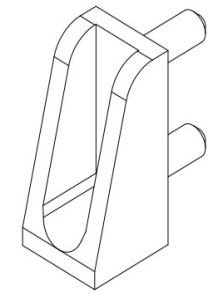
!
Some edges may
require filing for
proper fit




4x
Cast Door Bars



8x
Cast Door Bar
Brackets


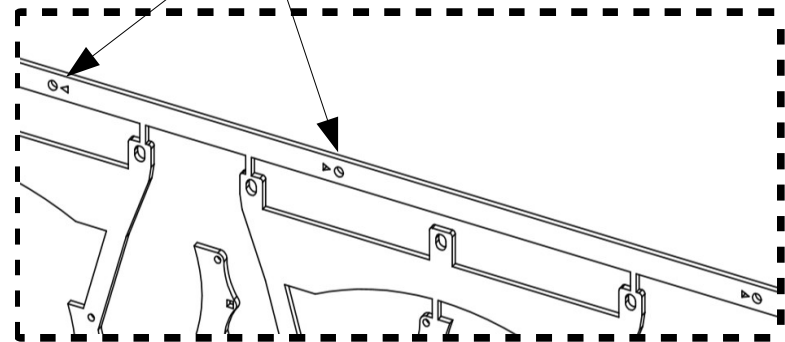


4x
Cast Door Bar
Bracket

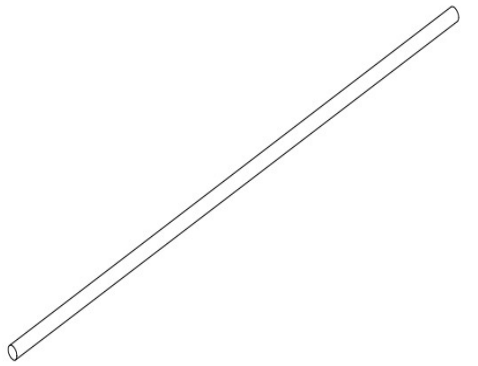


Bolt Together.
2MM bolts
recommended.

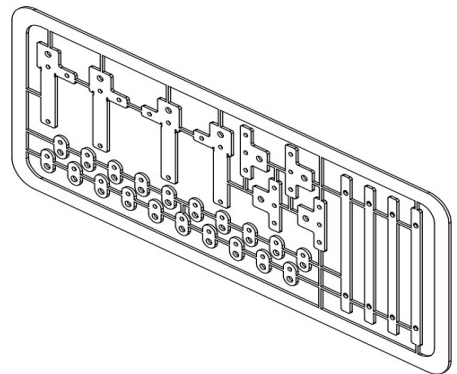
!
Use main fret to
Help make 100mm
Hand rails



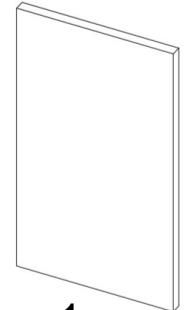
Glue all windows
Into body
(after paint).



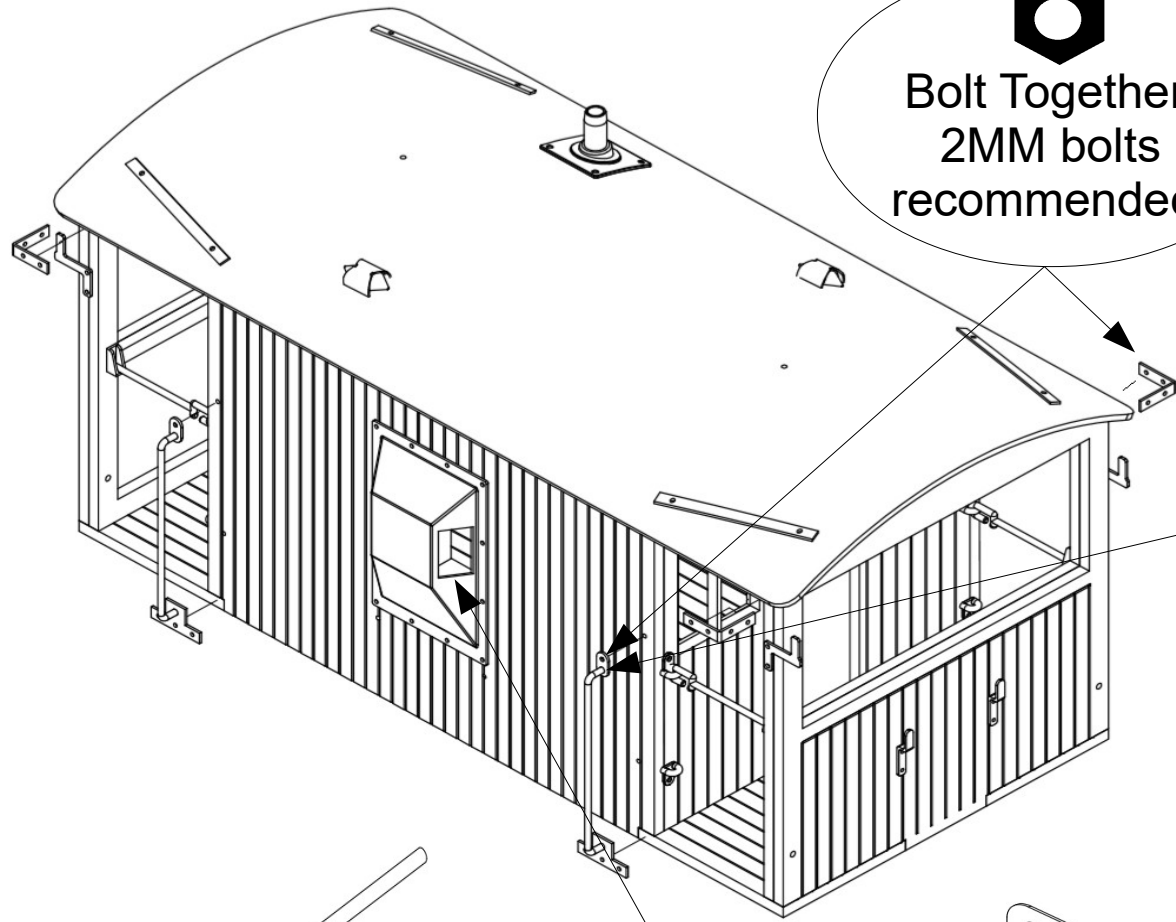
1x
Bar for all Handrails



1x
Body Strapping Fret



1x
Clear plastic
for all windows



9



Glue brackets into body.



Recommended to use pliers to bend small tabs.

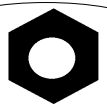


Bolt Together. 2MM bolts recommended.

140

32

10

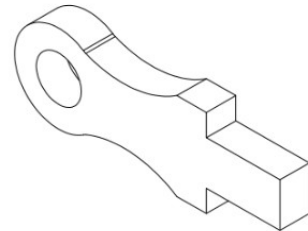


Bolt Together. 4MM bolts recommended.

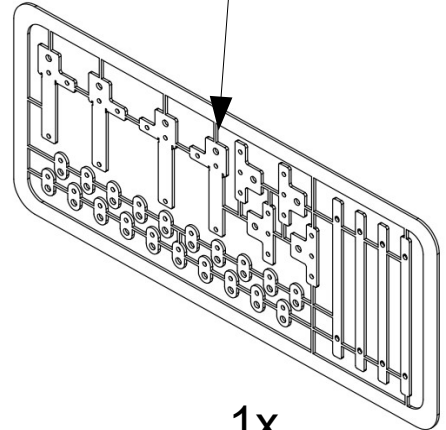


Use main fret to Help make 246mm Hand rails

And Enjoy!



4x Hand Rail Brackets



1x Body Strapping Fret

