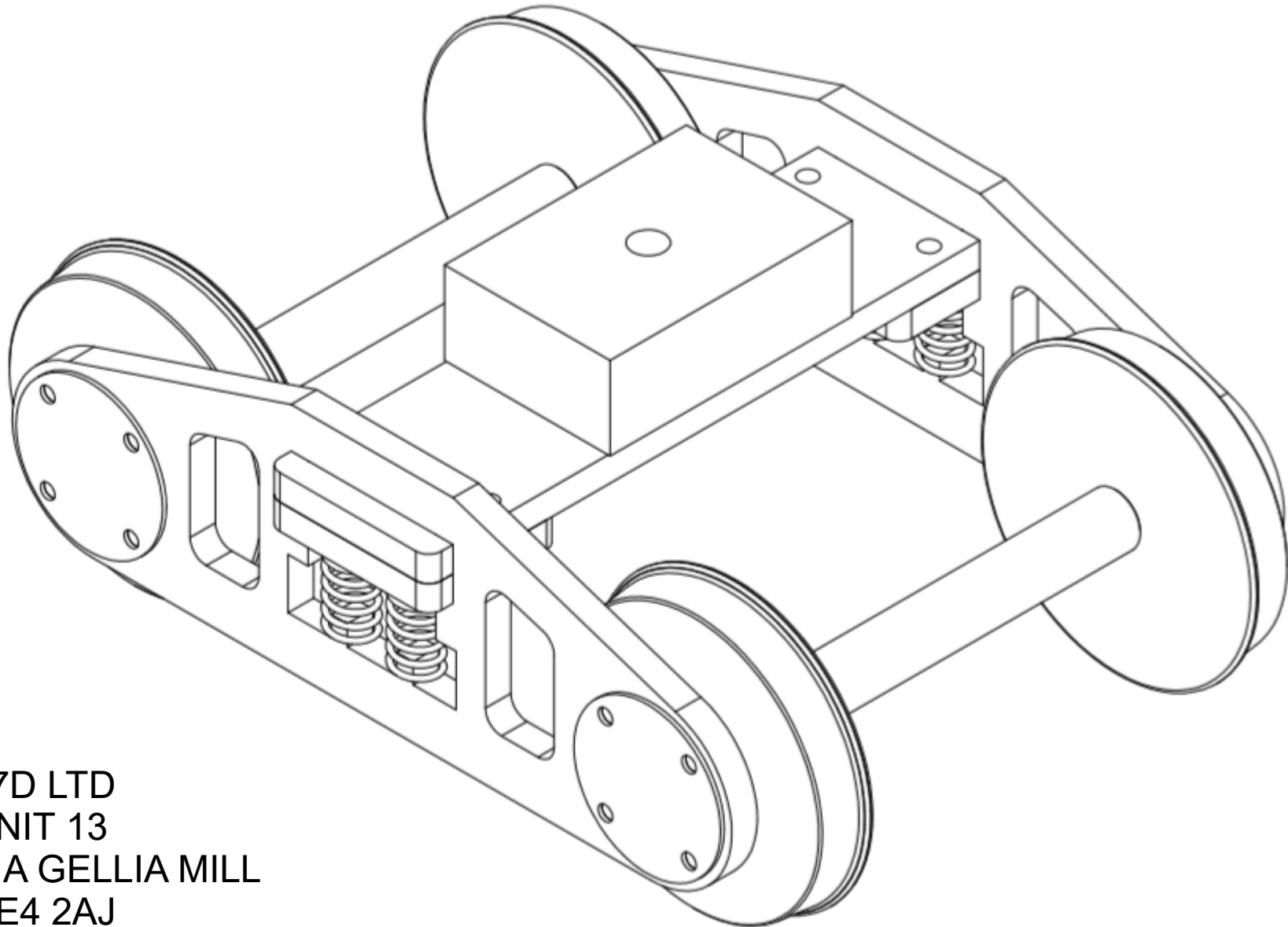
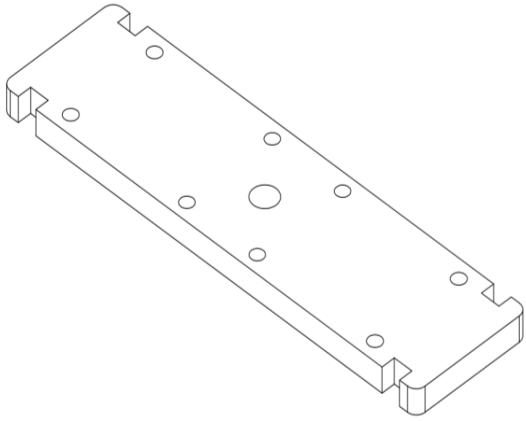


SE500 & SE700 Bogie Kits

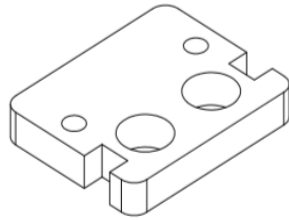


17D LTD
UNIT 13
VIA GELLIA MILL
DE4 2AJ
01629 825070

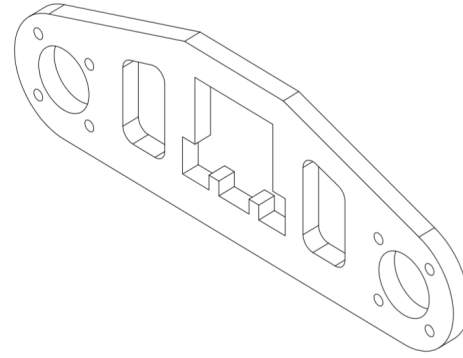
©17D LTD



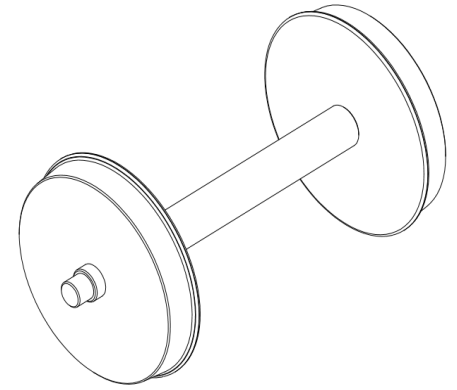
2x
Top Bolster Plate



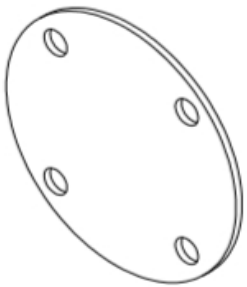
4x
Spring Retainer Plate



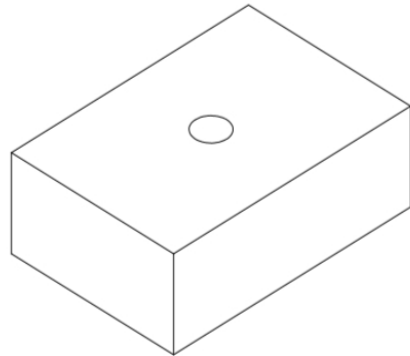
4x
Side Frames



4x
Wheels on Axles



8x
Bearing covers



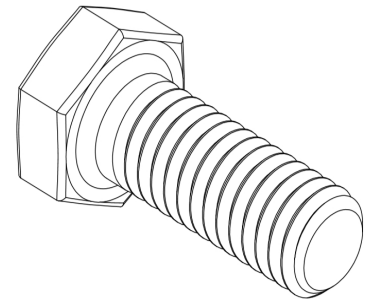
2x
Nylon riser block



8x
Bearings

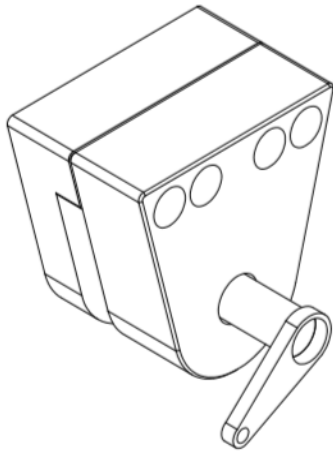


8x
Die Springs

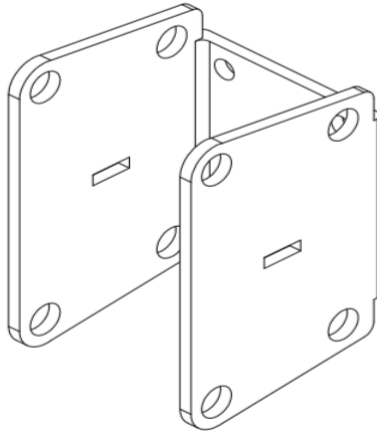


32 x M4 x 8mm
32 x M4 Washers
8x M5 x 25mm
8x M5 Nyloc nuts

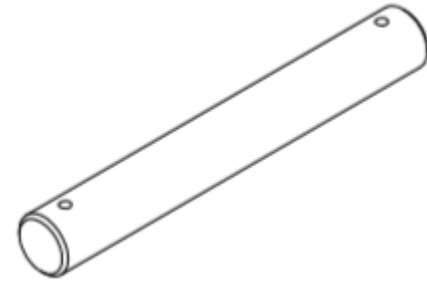
Braked Version



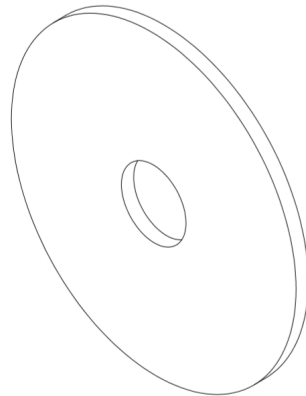
2x
Brake Caliper



2x
Brake Caliper Mounts



4x
Caliper Support Pins



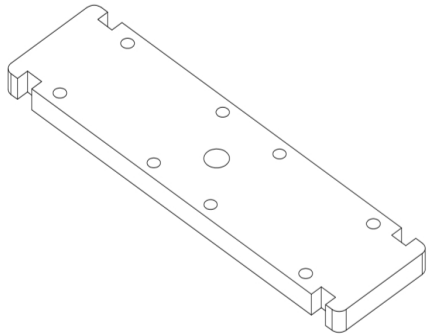
2x
Brake Discs



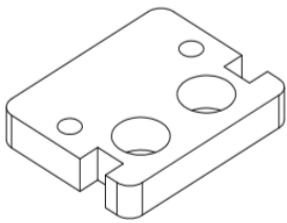
4x
R Clip Retainers


Secondly paint
your parts where
required.

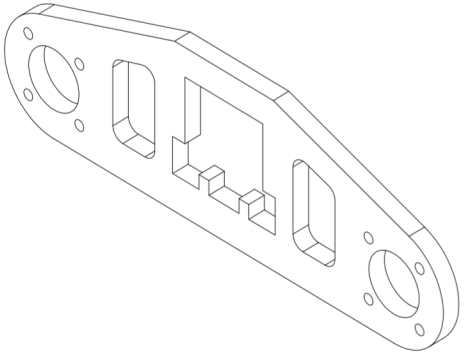
!
First file centres
and bearing holes
to fit.



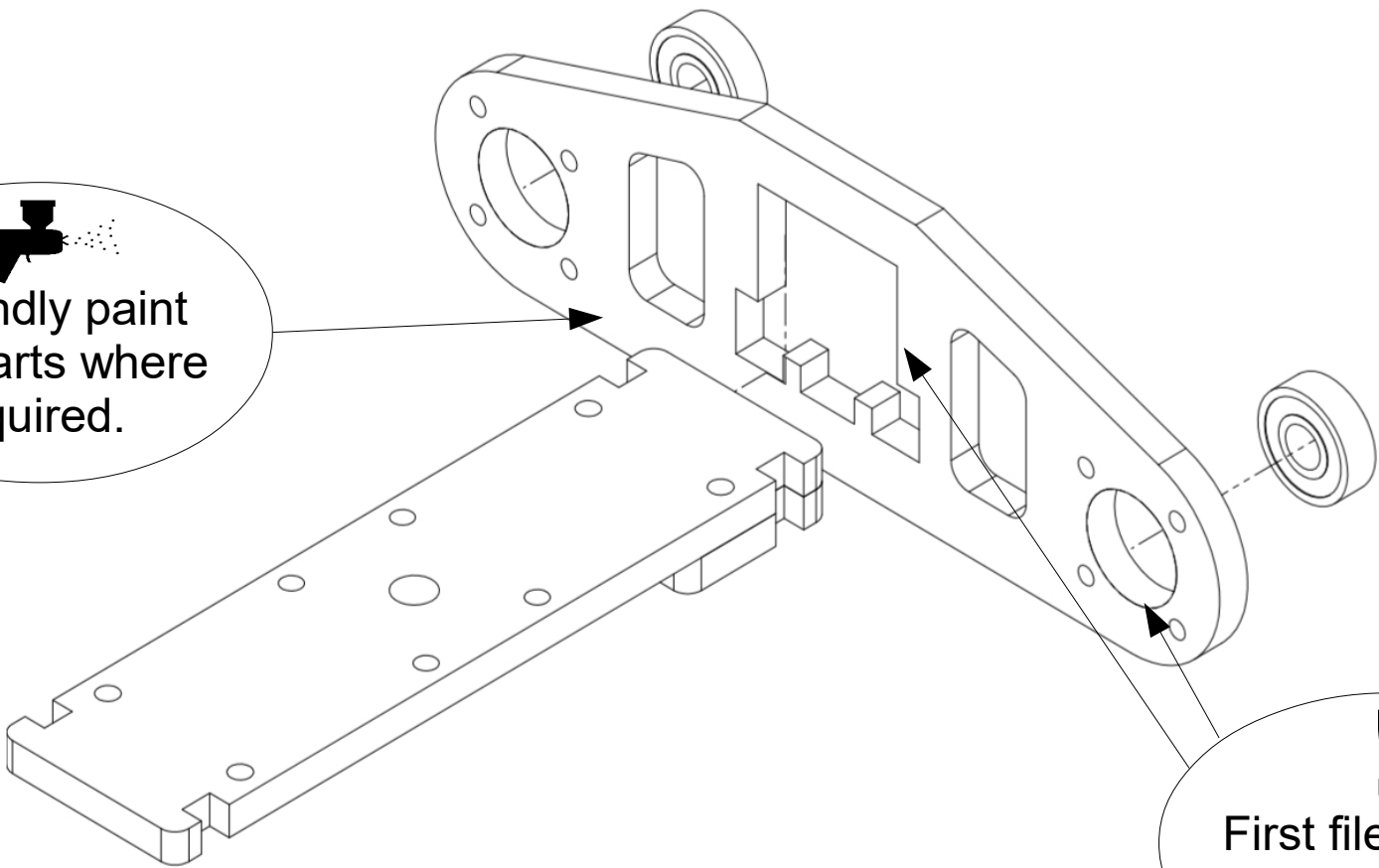
2x
Top Bolster Plate

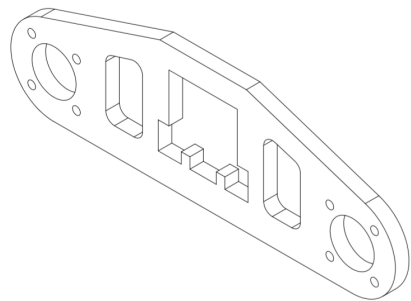
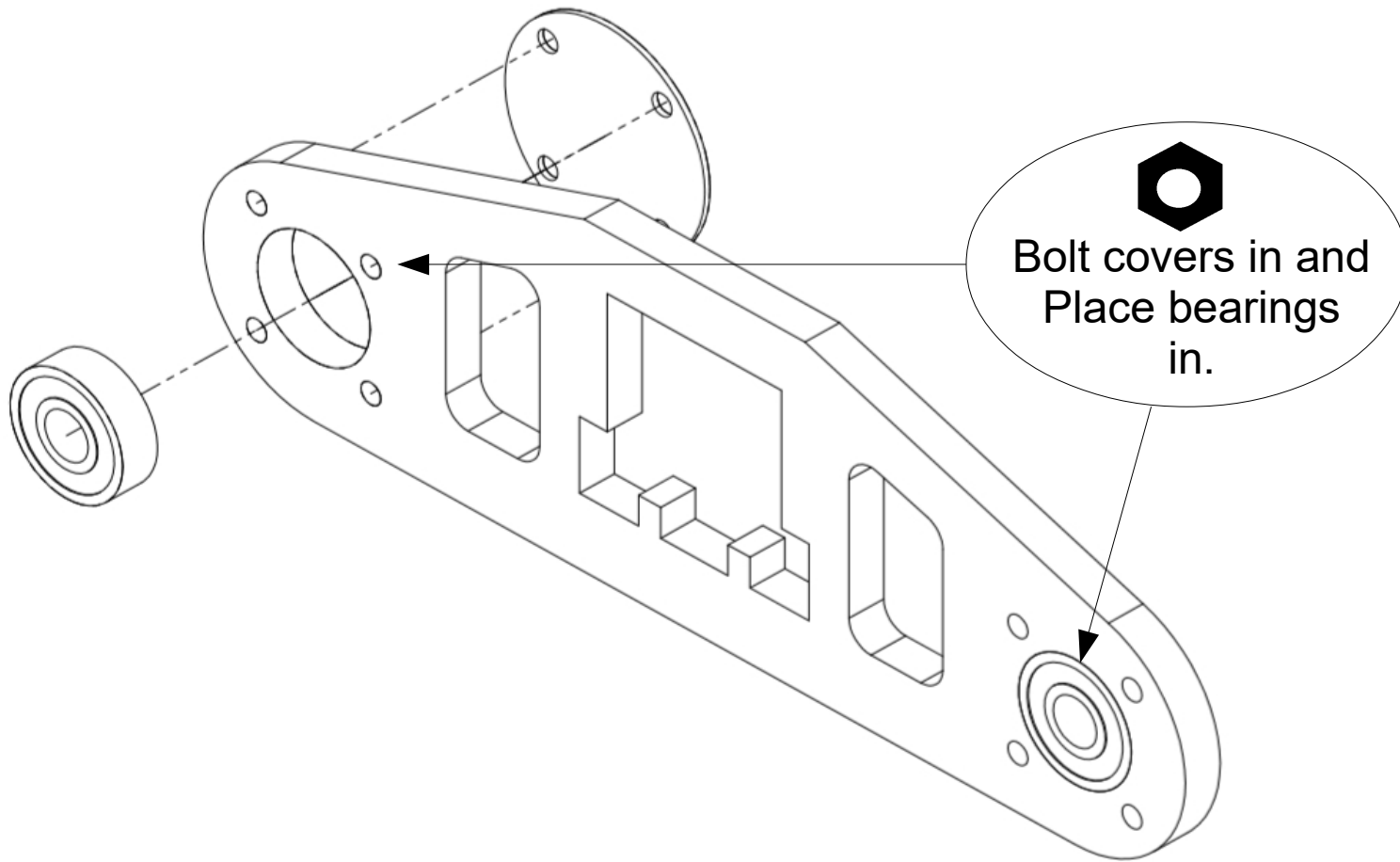


4x
Spring Retainer Plate

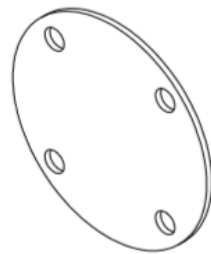


4x
Side Frames





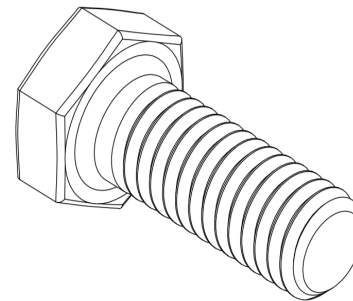
4x
Side Frames



8x
Bearing covers



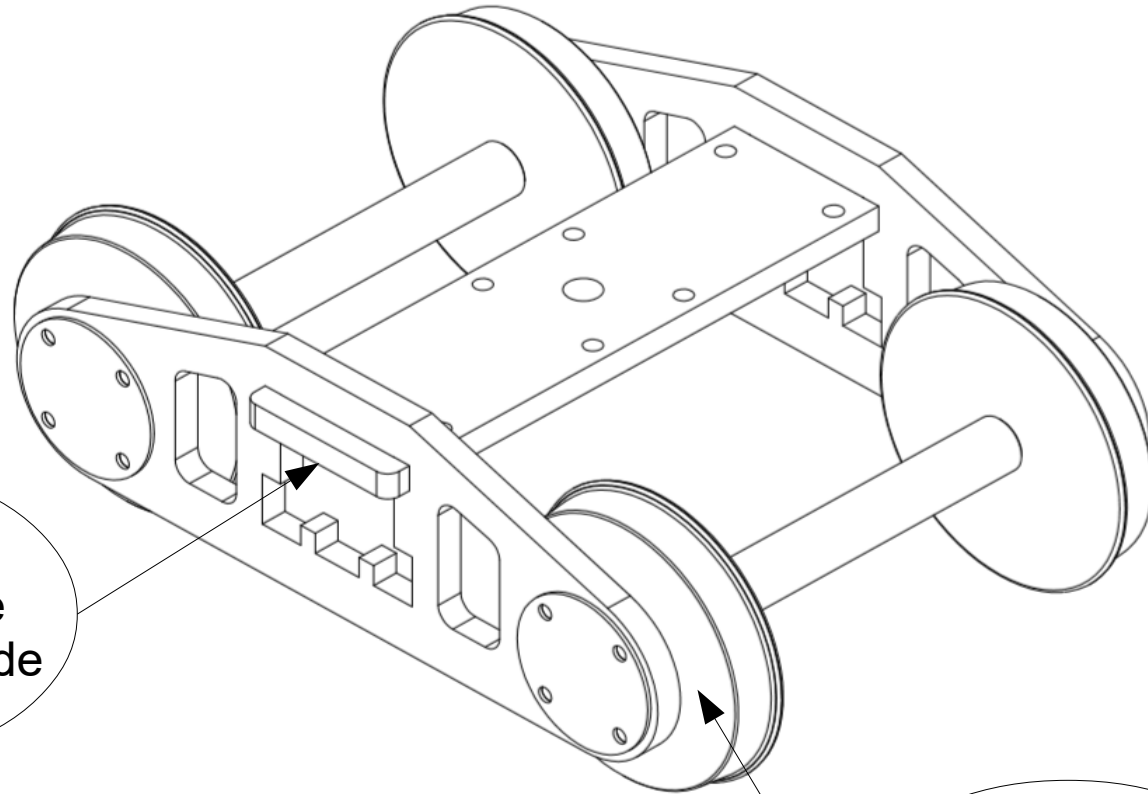
8x
Bearings



32 x M4 x 8mm
32 x M4 Washers

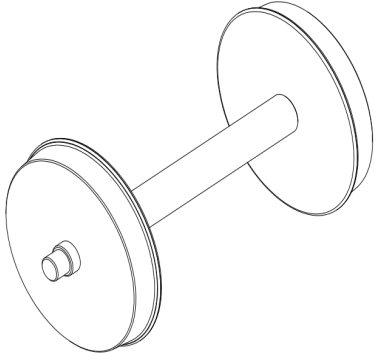
7.25" Version:

32 x M5 x 10mm
32 x M5 Washers




!
Secondly place
bolster plate inside
frames

!
Firstly assemble
wheel sets into
the frames.



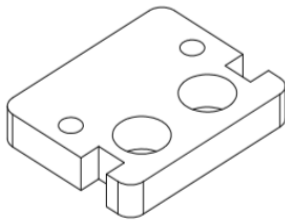
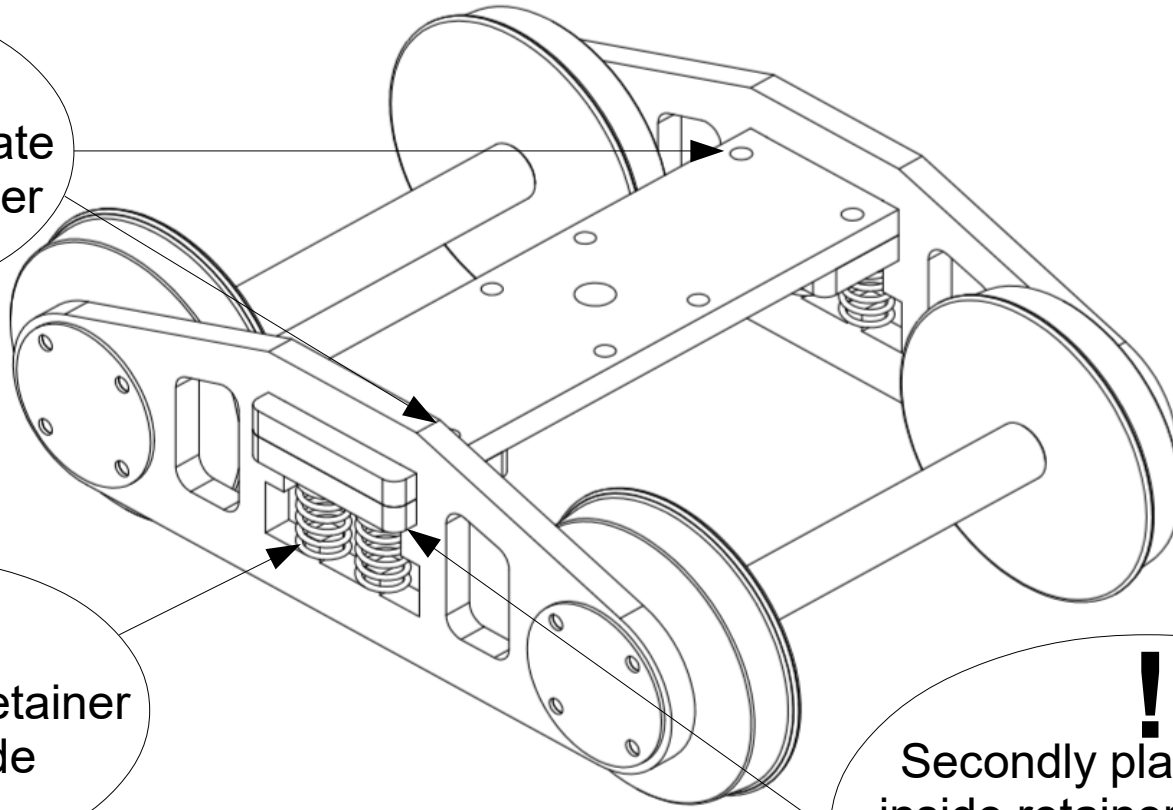
4x
Wheels on Axles



Bolt the bolster plate and spring retainer together.

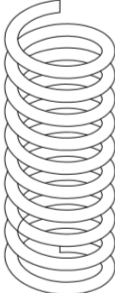
! Firstly place retainer plate inside frames.

! Secondly place springs inside retainers then raise retainer plate up to meet the bolster plate as shown.



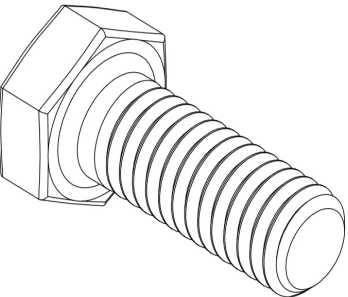
4x

Spring Retainer Plate



8x

Die Springs



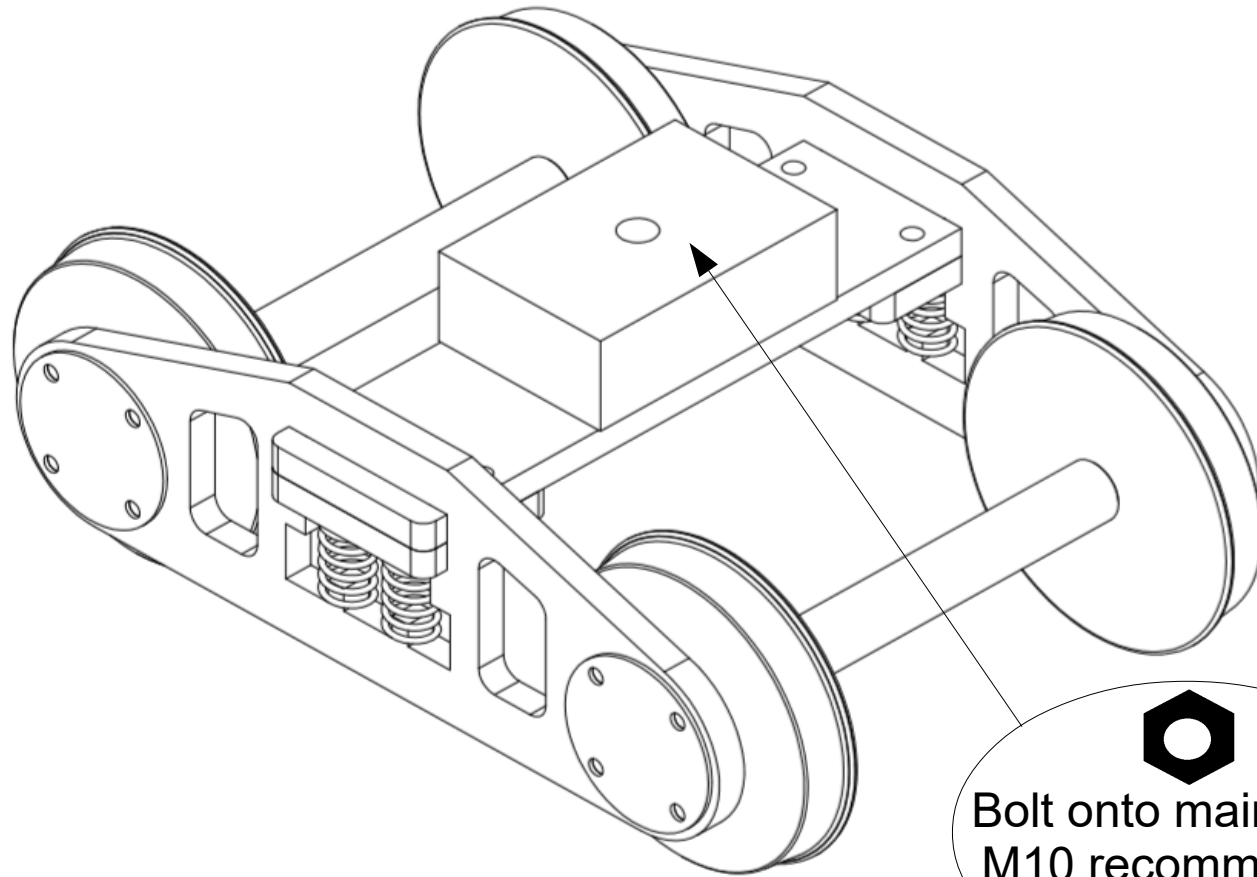
8x M5 x 25mm


8x M5 Nyloc nuts

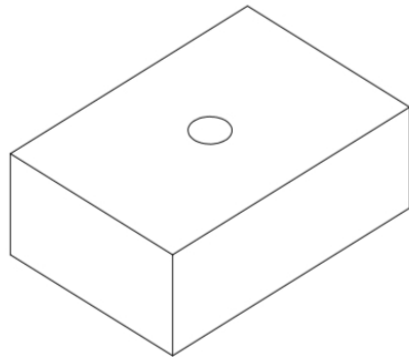
7.25" Version:

8x M6 x 25mm

8x M6 Nyloc nuts



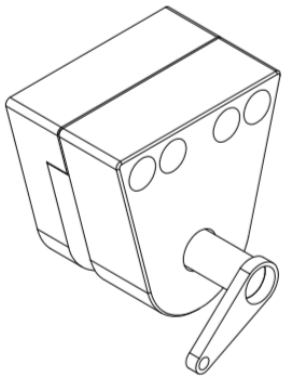
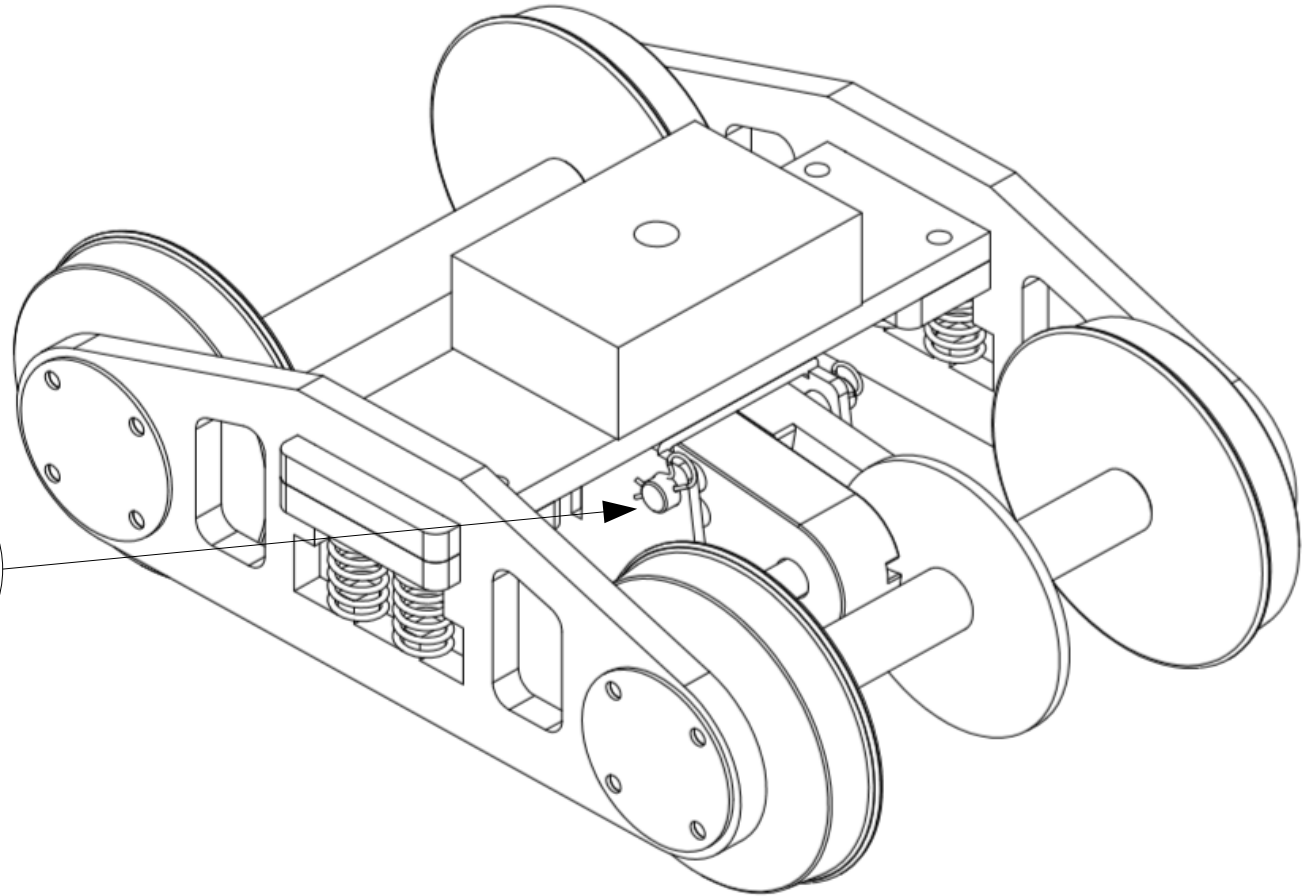

Bolt onto main body,
M10 recommended
(M12 in 7.25")



2x
Nylon riser block

Brake Version

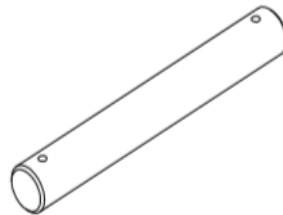
!
Mount brake caliper
as shown and fit
retainer clips.



2x
Brake Caliper



4x
R Clip Retainers



4x
Caliper Support Pins