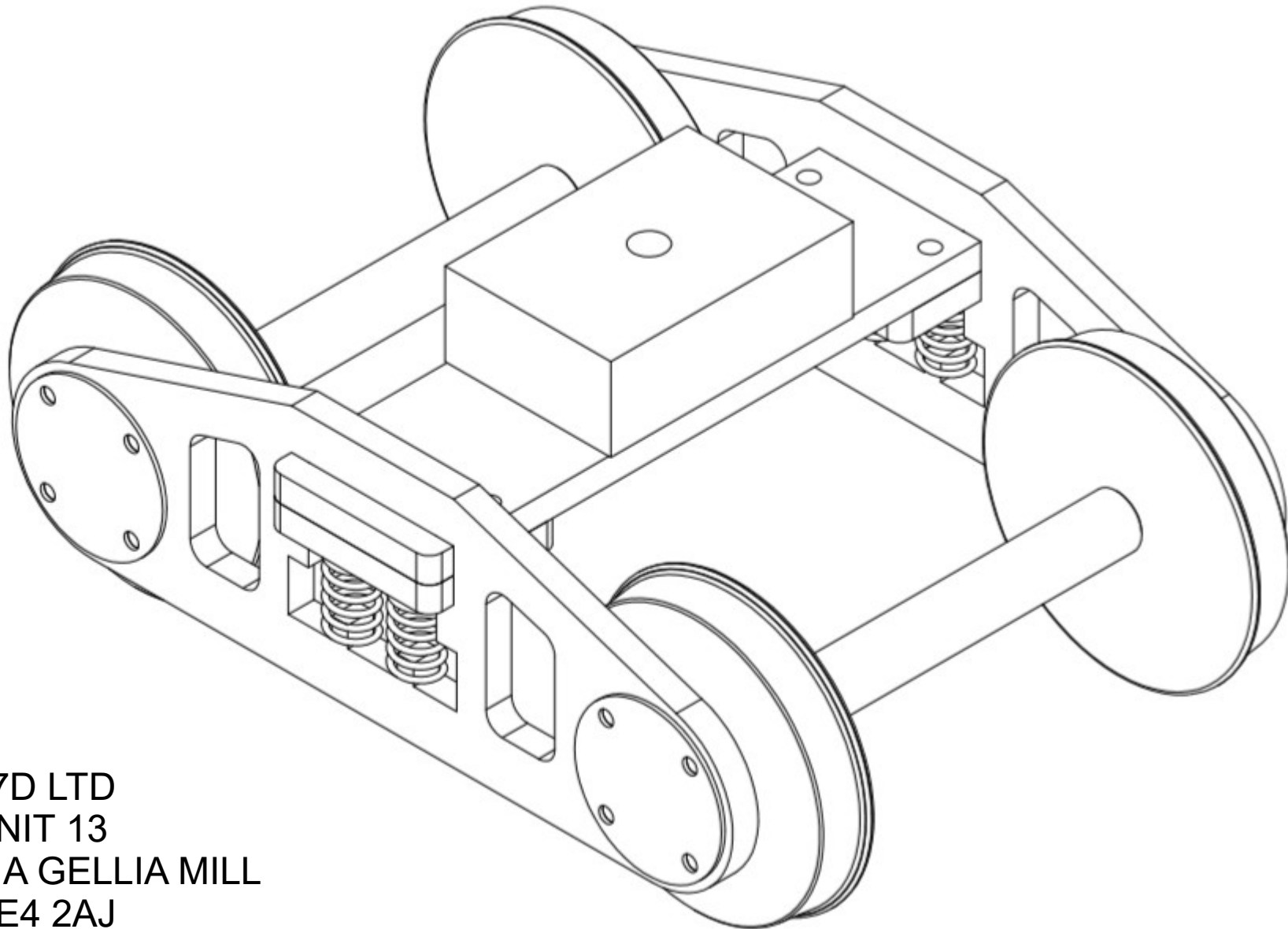
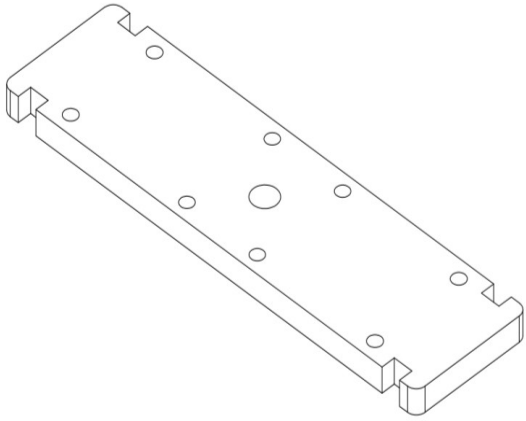


SE500 & SE700 Bogie Kits

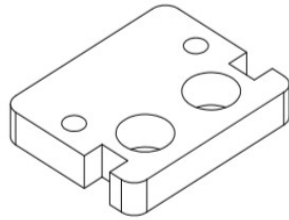


17D LTD
UNIT 13
VIA GELLIA MILL
DE4 2AJ
01629 825070

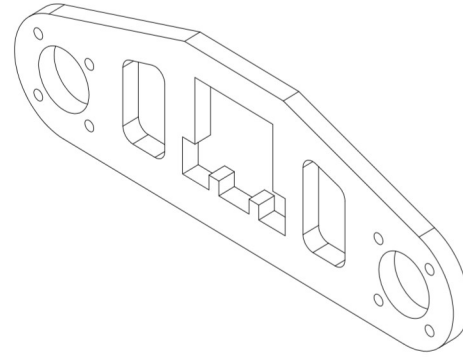
©17D LTD



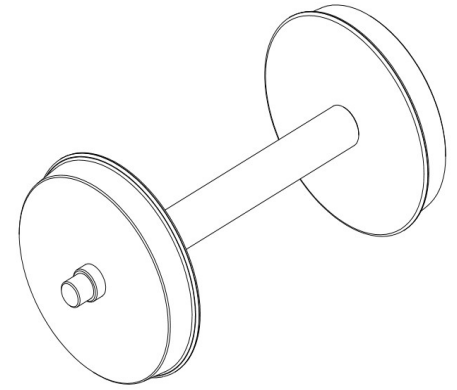
2x
Top Bolster Plate



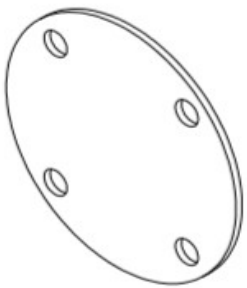
4x
Spring Retainer Plate



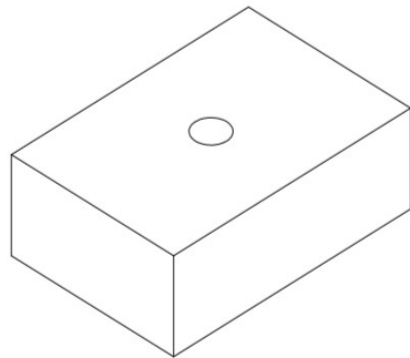
4x
Side Frames



4x
Wheels on Axles
(2x Braked Version)



8x
Bearing covers



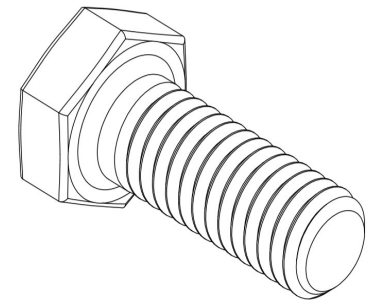
2x
Nylon riser block



8x
Bearings

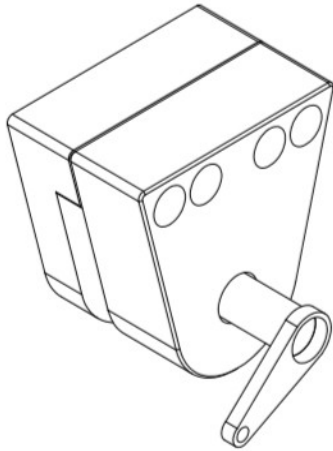


8x
Die Springs

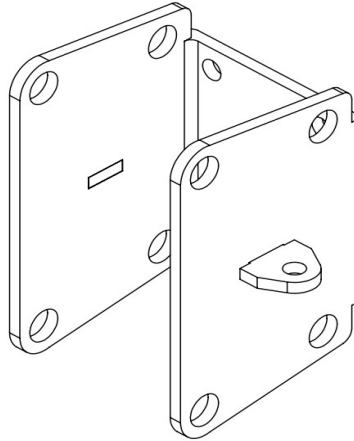


32 x M5 x 10mm
32 x M5 Washers
8x M6 x 25mm
8x M6 Nyloc nuts

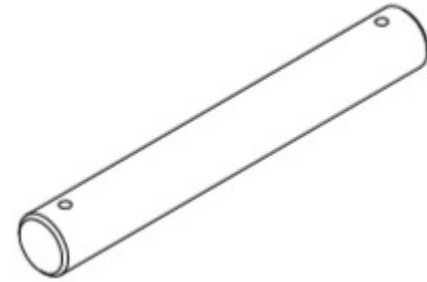
Braked Version



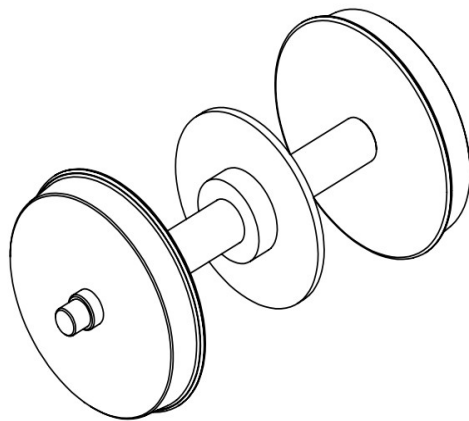
2x
Brake Caliper



2x
Brake Caliper Mounts



4x
Caliper Support Pins



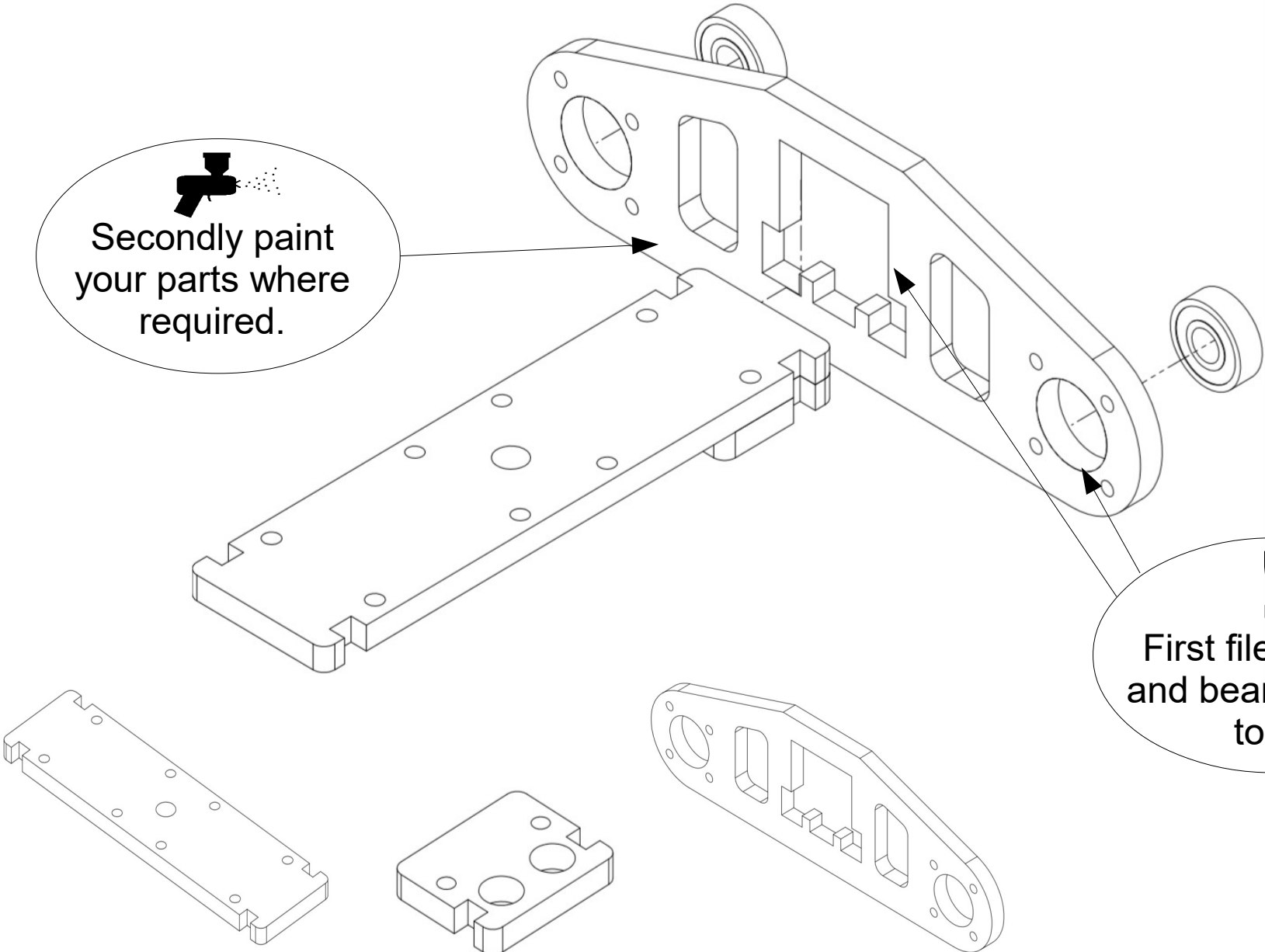
Brake Discs And Boss
On Wheels



4x
R Clip Retainers


Secondly paint
your parts where
required.

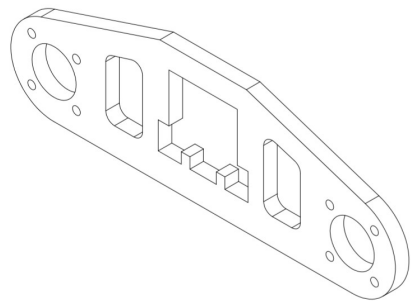
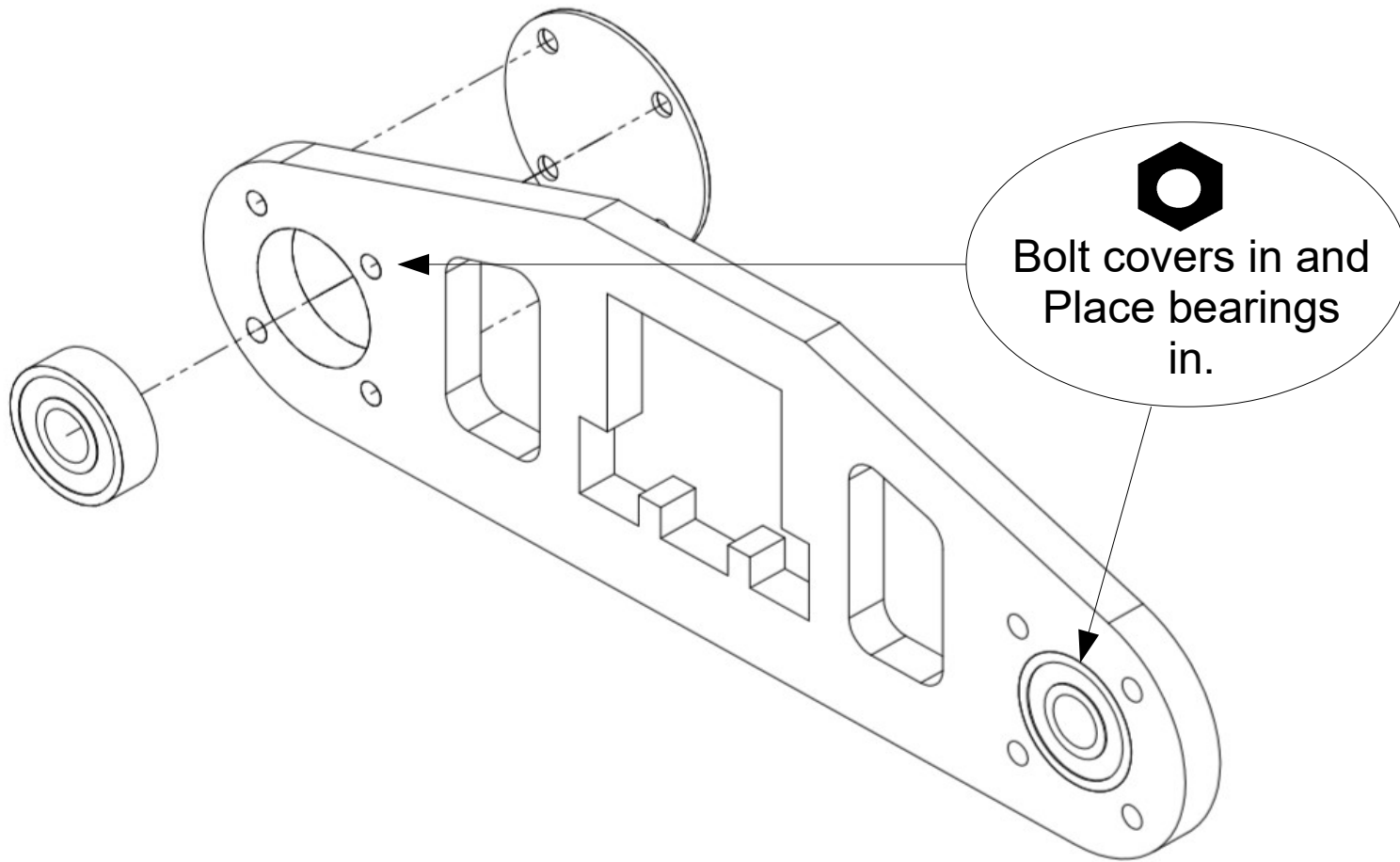
!
First file centres
and bearing holes
to fit.



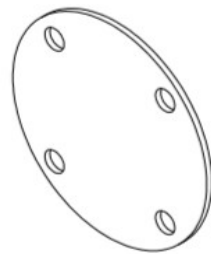
2x
Top Bolster Plate

4x
Spring Retainer Plate

4x
Side Frames



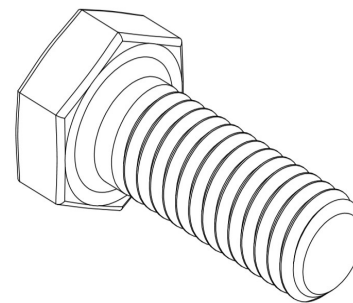
4x
Side Frames



8x
Bearing covers



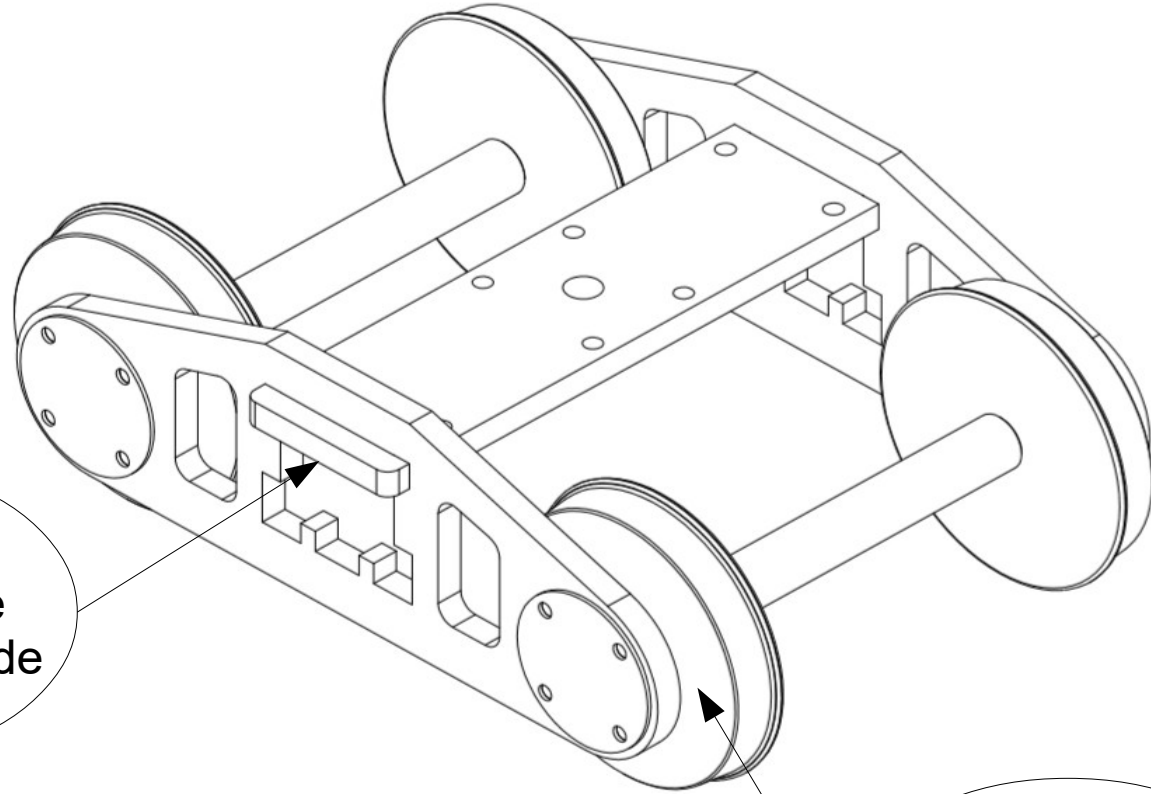
8x
Bearings



32 x M4 x 8mm
32 x M4 Washers

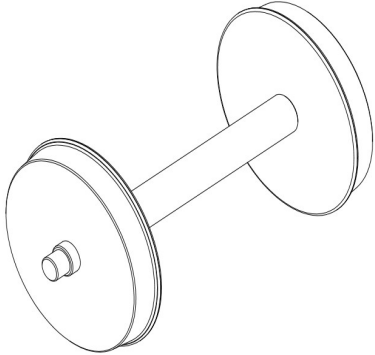
7.25" Version:

32 x M5 x 10mm
32 x M5 Washers




!
Secondly place
bolster plate inside
frames

!
Firstly assemble
wheel sets into
the frames.



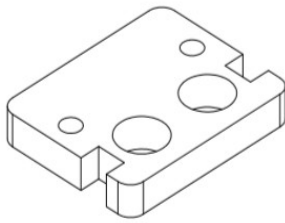
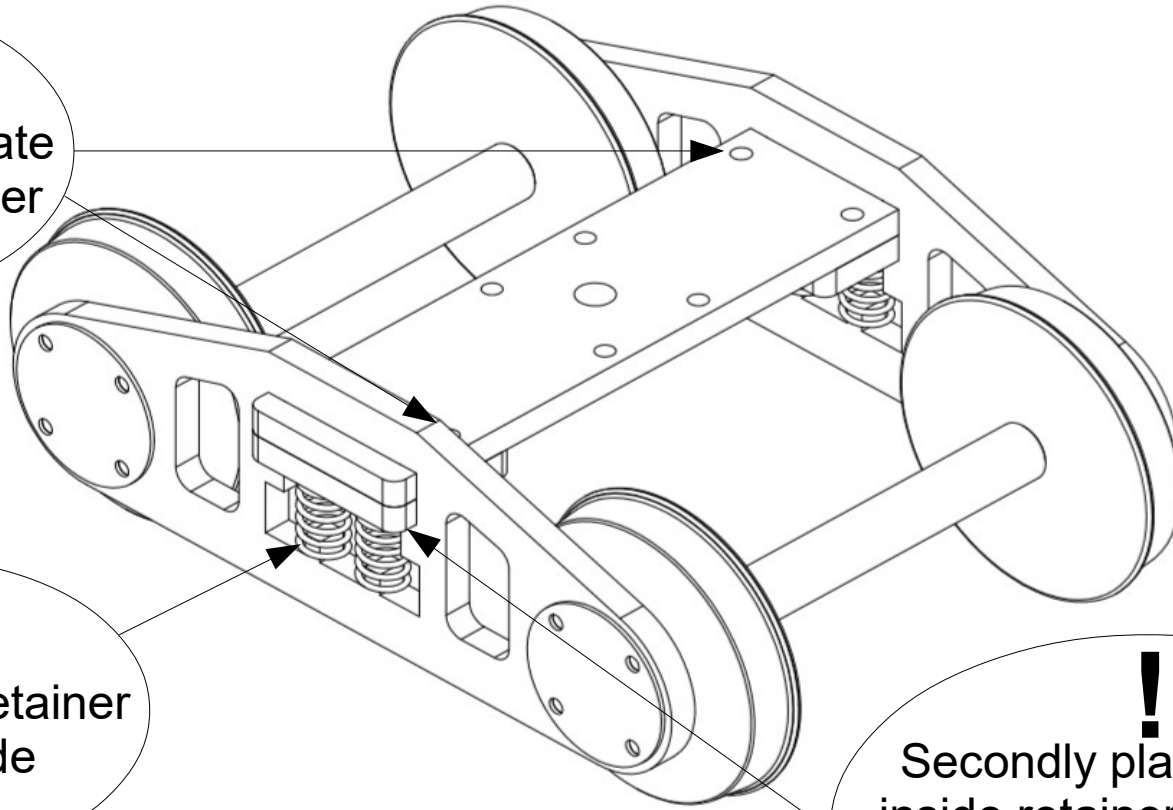
4x
Wheels on Axles



Bolt the bolster plate and spring retainer together.

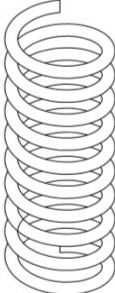
! Firstly place retainer plate inside frames.

! Secondly place springs inside retainers then raise retainer plate up to meet the bolster plate as shown.



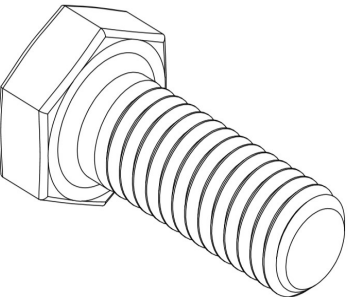
4x

Spring Retainer Plate



8x

Die Springs



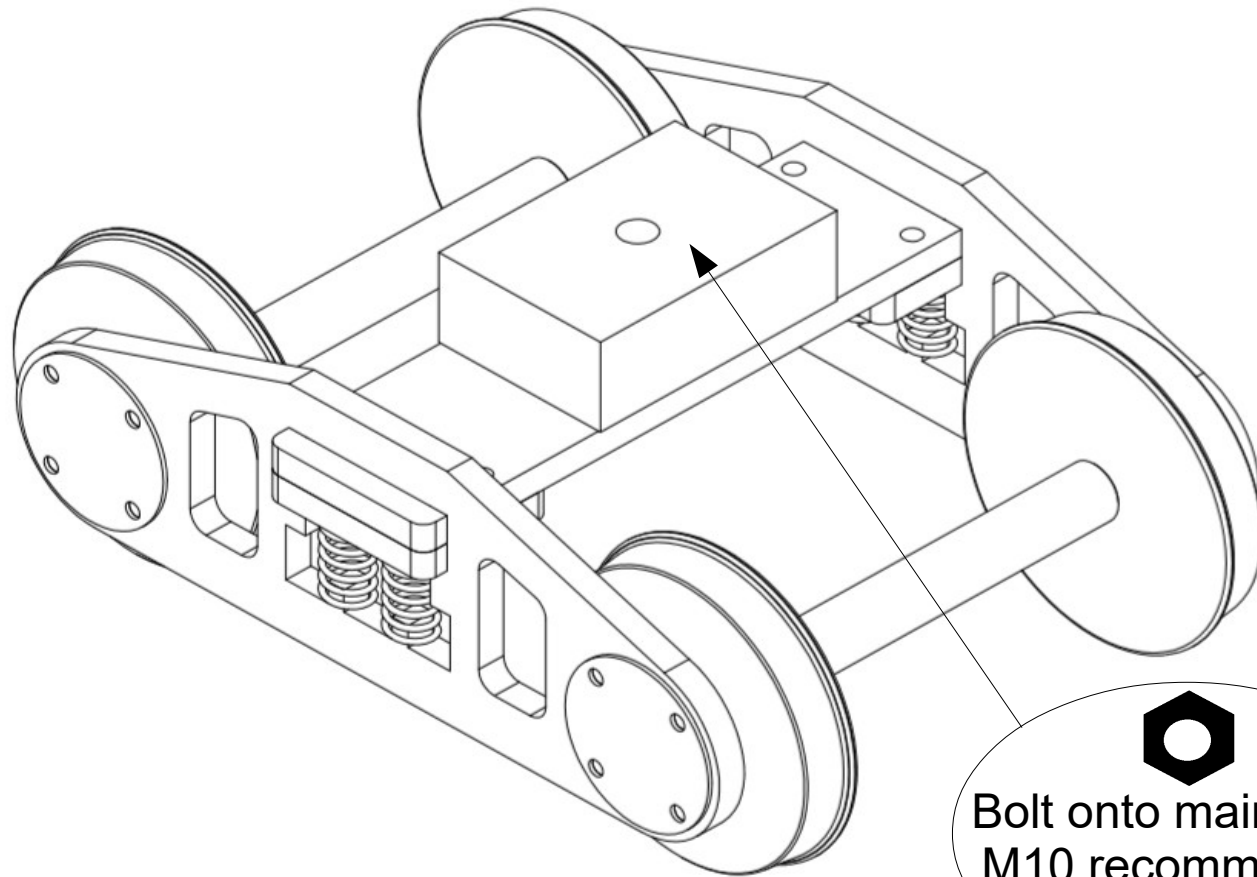
8x M5 x 25mm


8x M5 Nyloc nuts

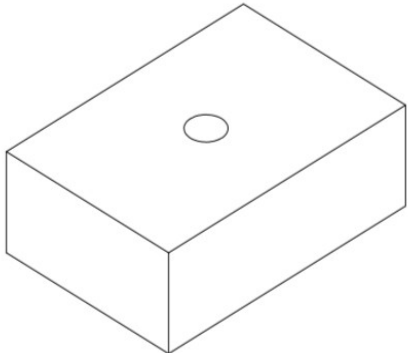
7.25" Version:

8x M6 x 25mm

8x M6 Nyloc nuts



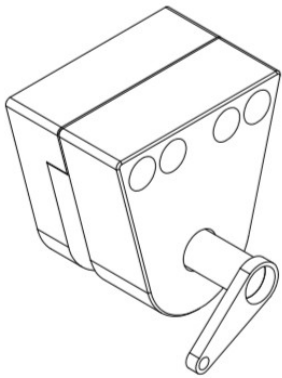
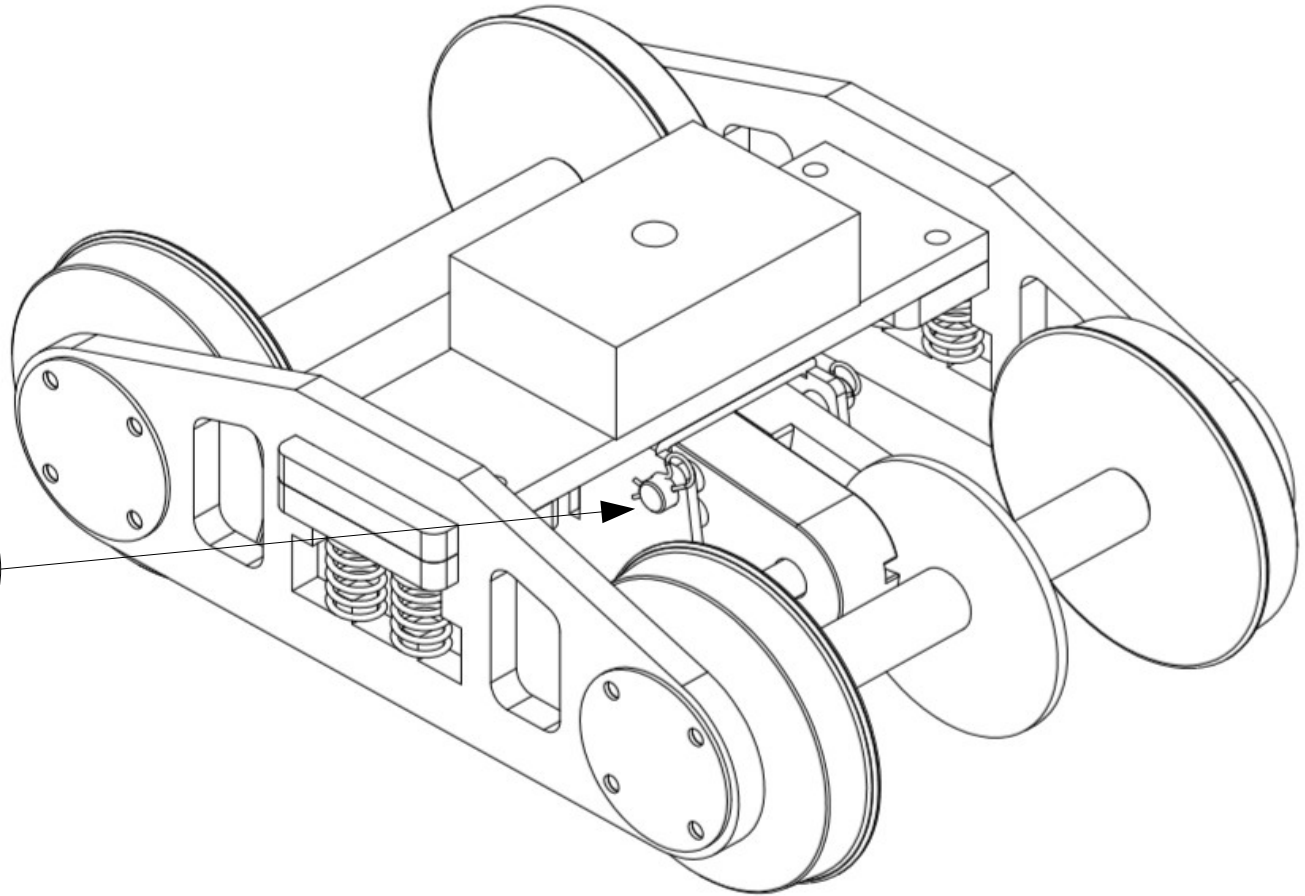

Bolt onto main body,
M10 recommended
(M12 in 7.25")



2x
Nylon riser block

Brake Version

!
Mount brake caliper
as shown and fit
retainer clips.



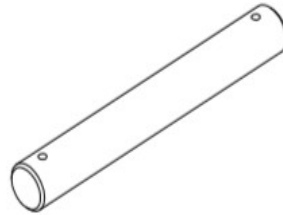
2x

Brake Caliper



4x

R Clip Retainers



4x

Caliper Support Pins